

User installation manual

TurnLoader™ MD

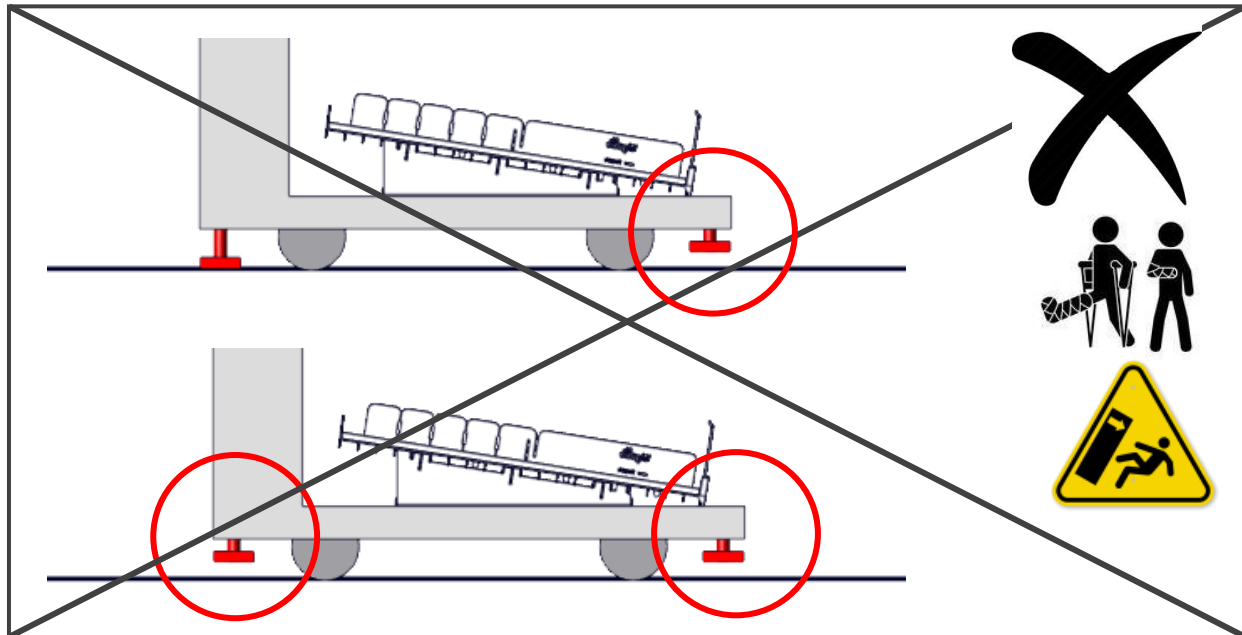
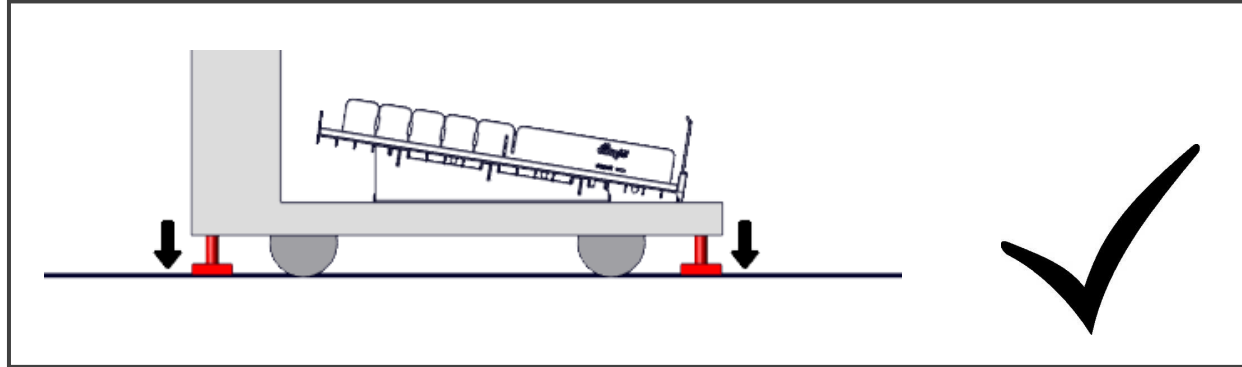
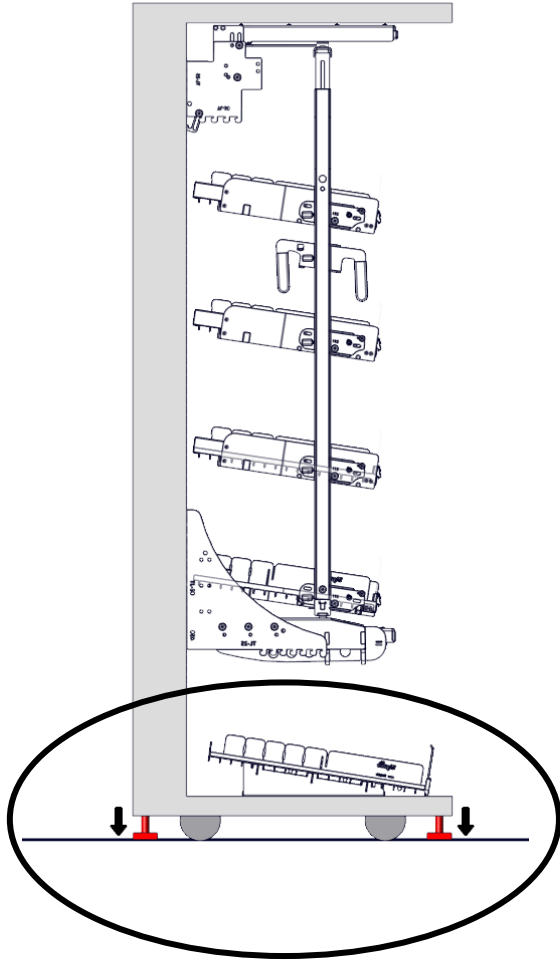




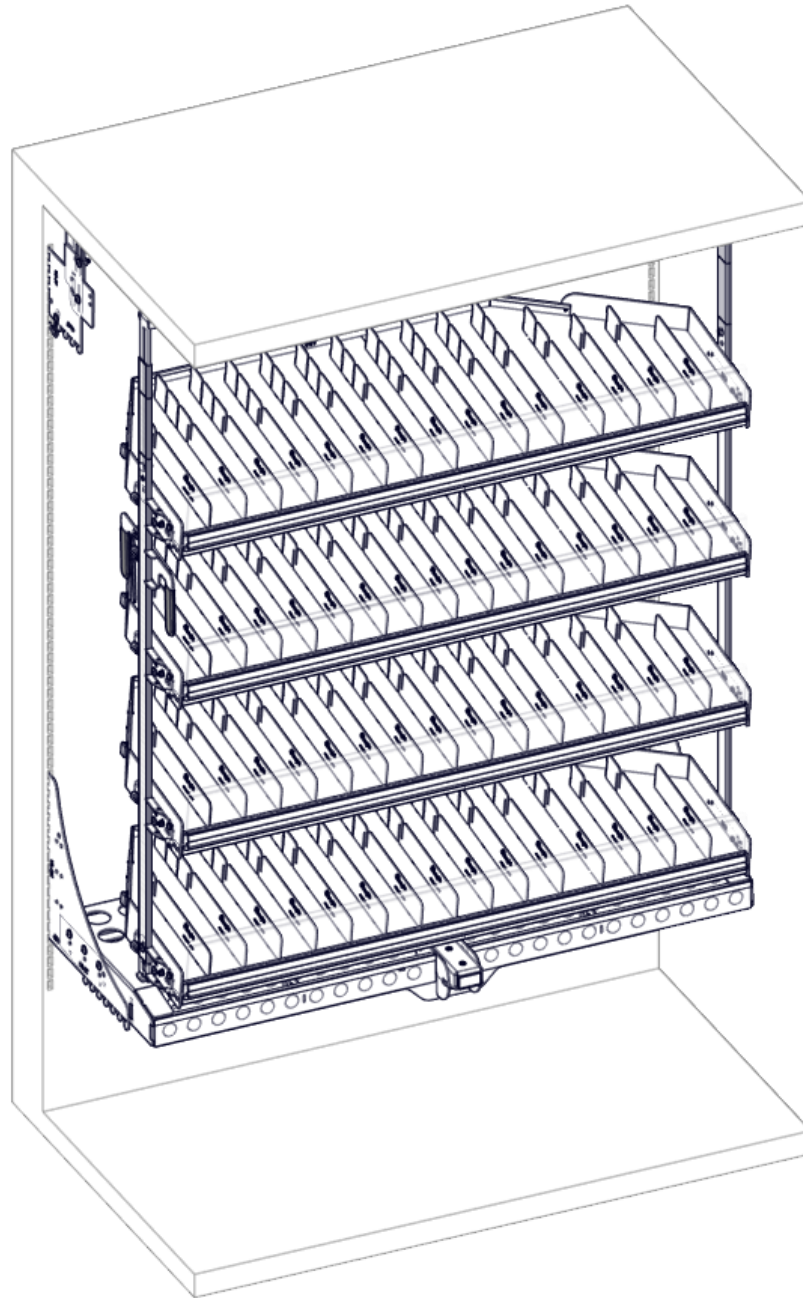
WARNING



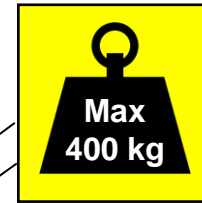
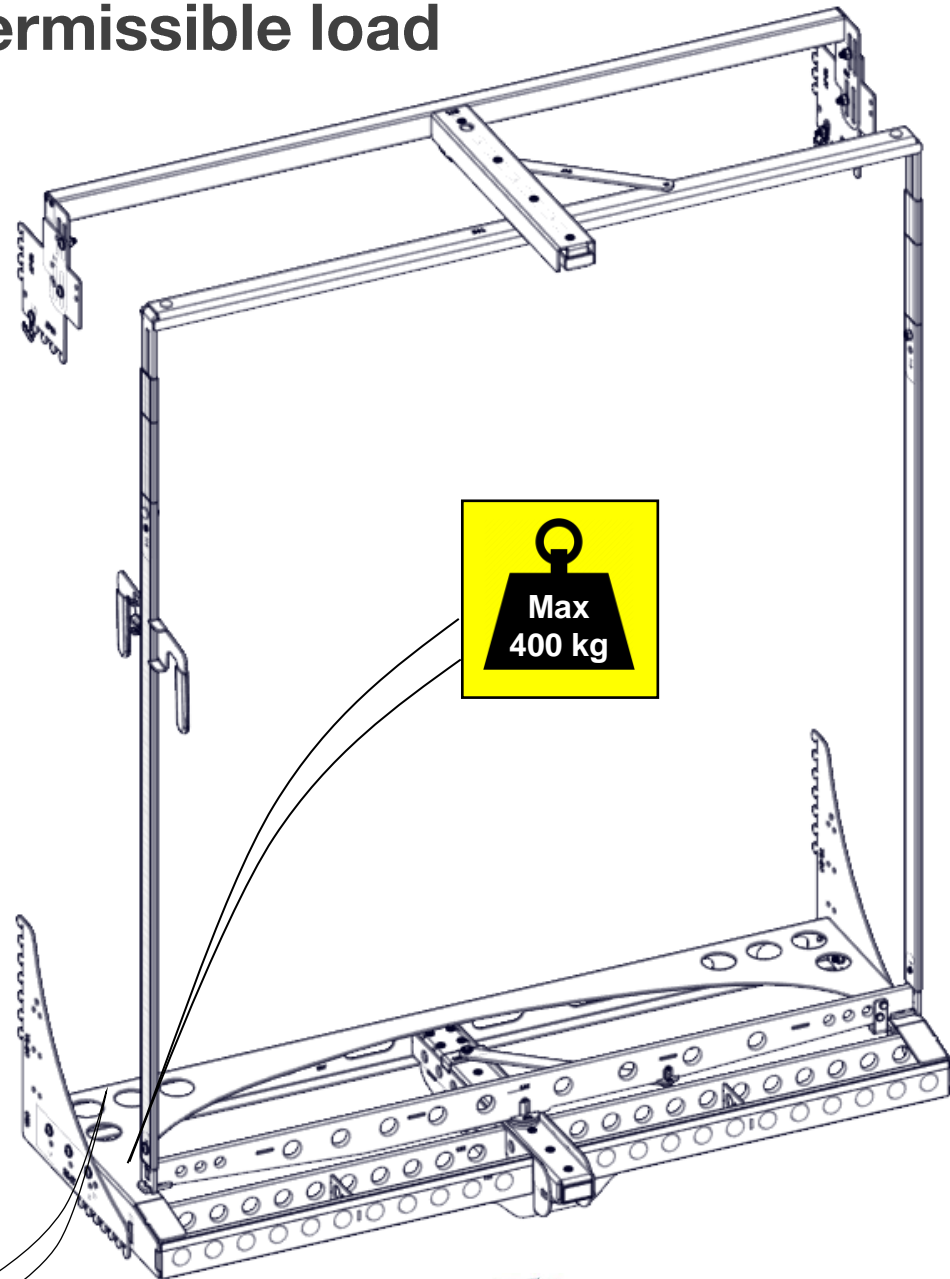
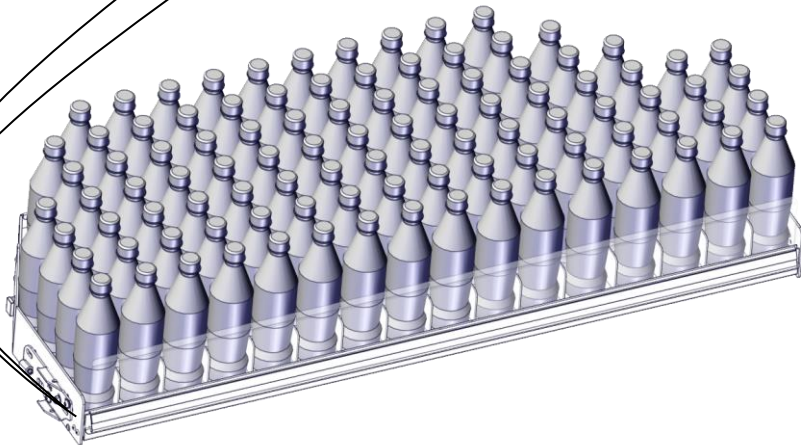
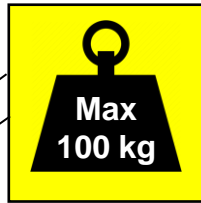
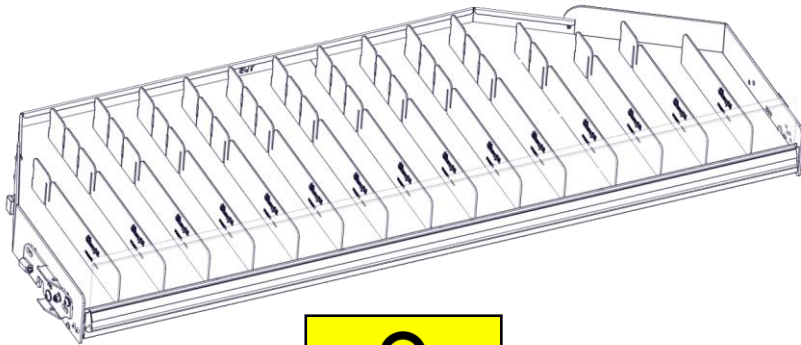
Cooler stability



TurnLoader™ MD



Maximum permissible load



easyfill TurnLoader MD - 0195

Production date : xxxx/xxxx

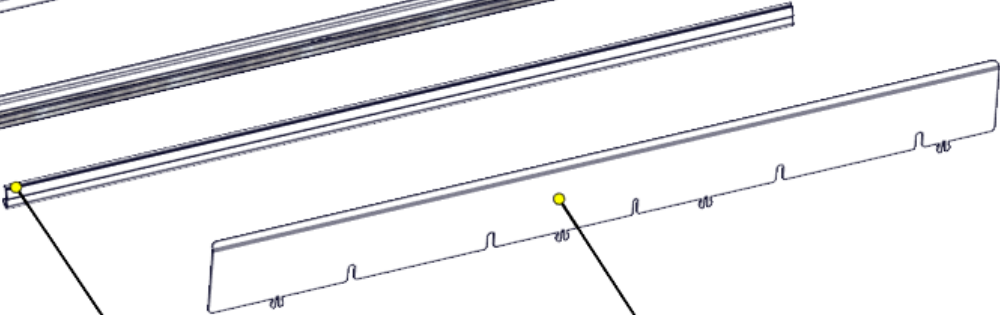
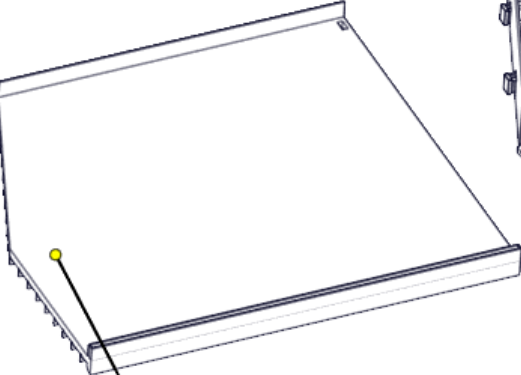
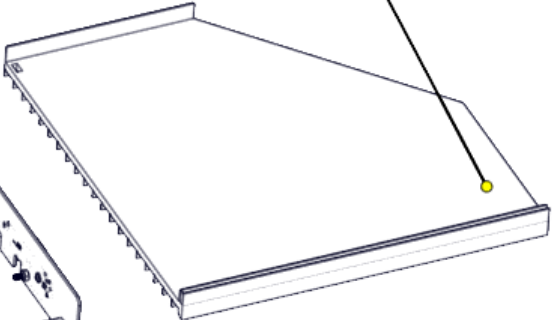
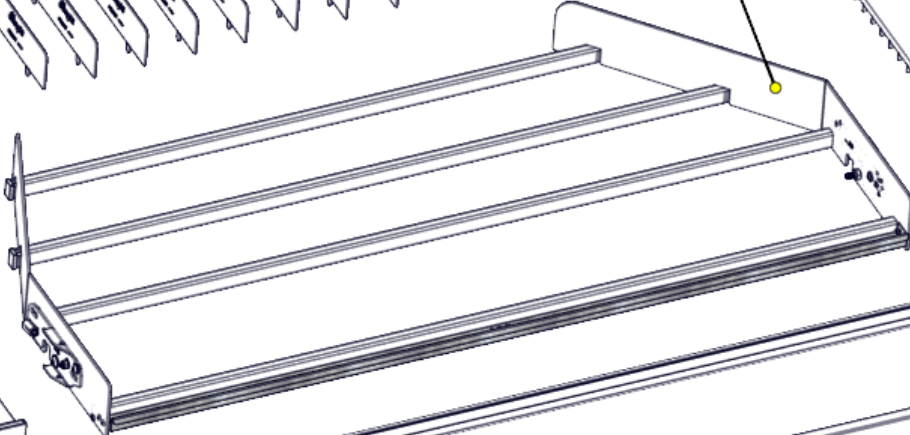
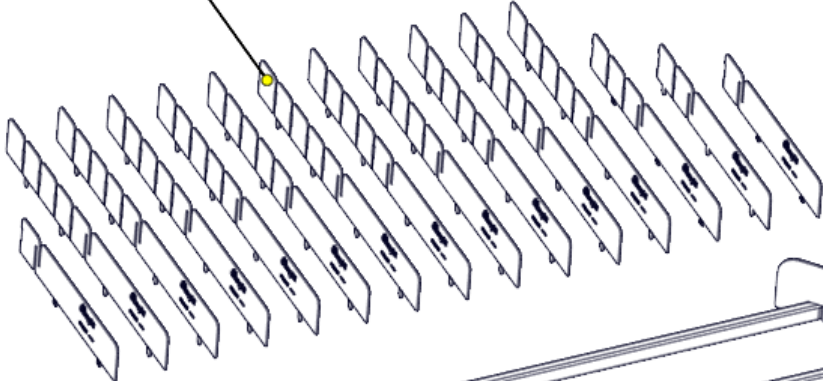
easyfill
Clever store shelves

SHELF

Divider Easyfill Uni 620

Adjustable Shelf

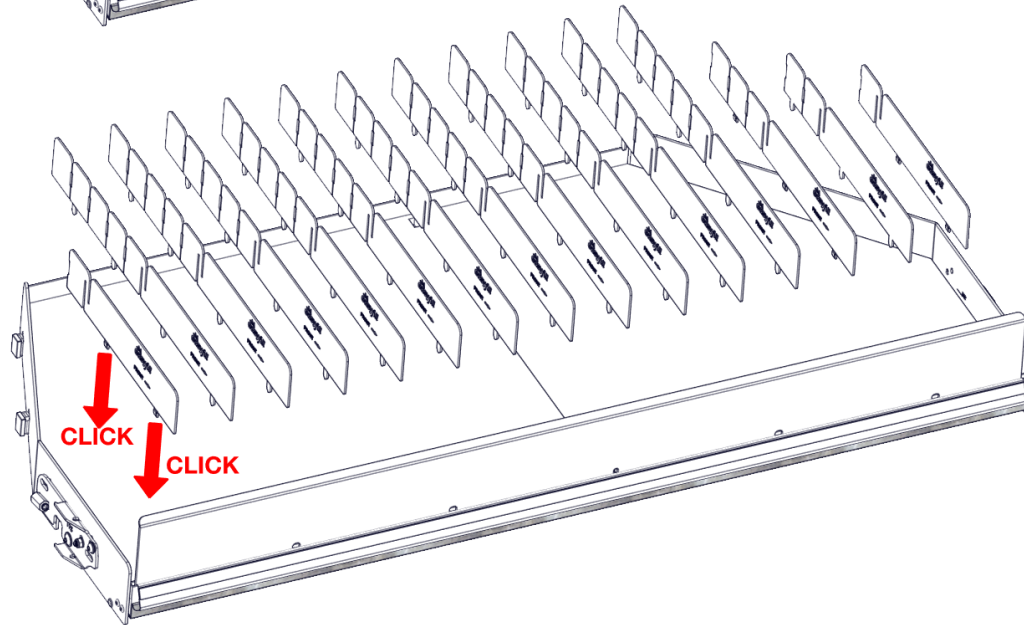
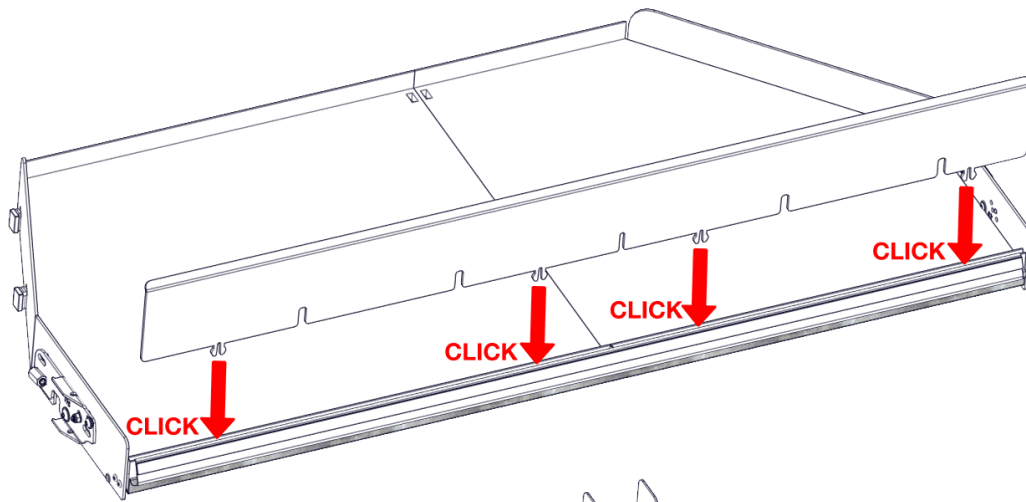
Plastic part of Adjustable Shelf



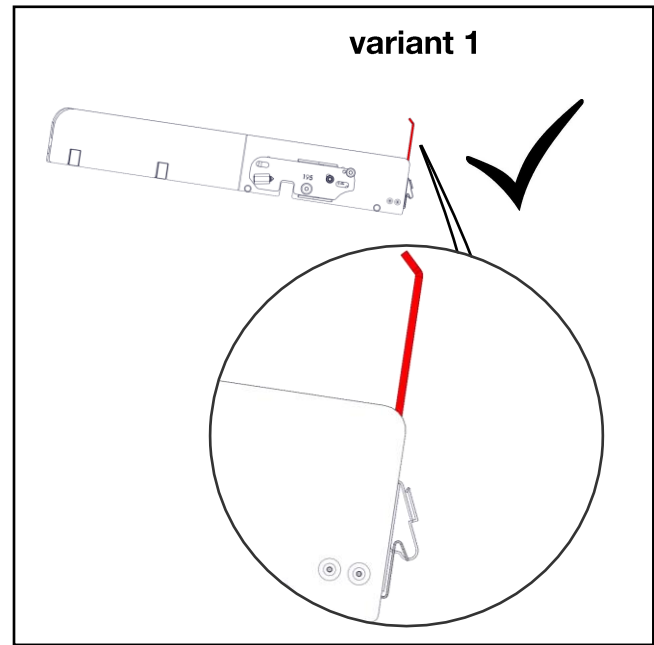
Plastic part of Adjustable Shelf

Price Ticket

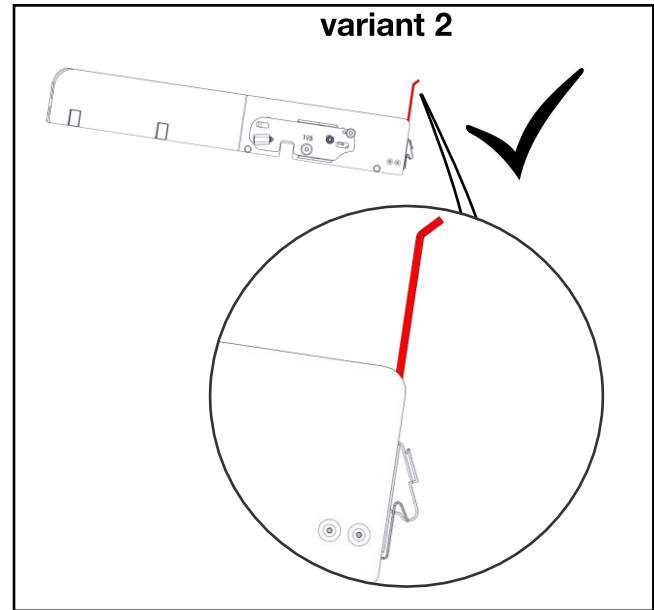
Frontstopper



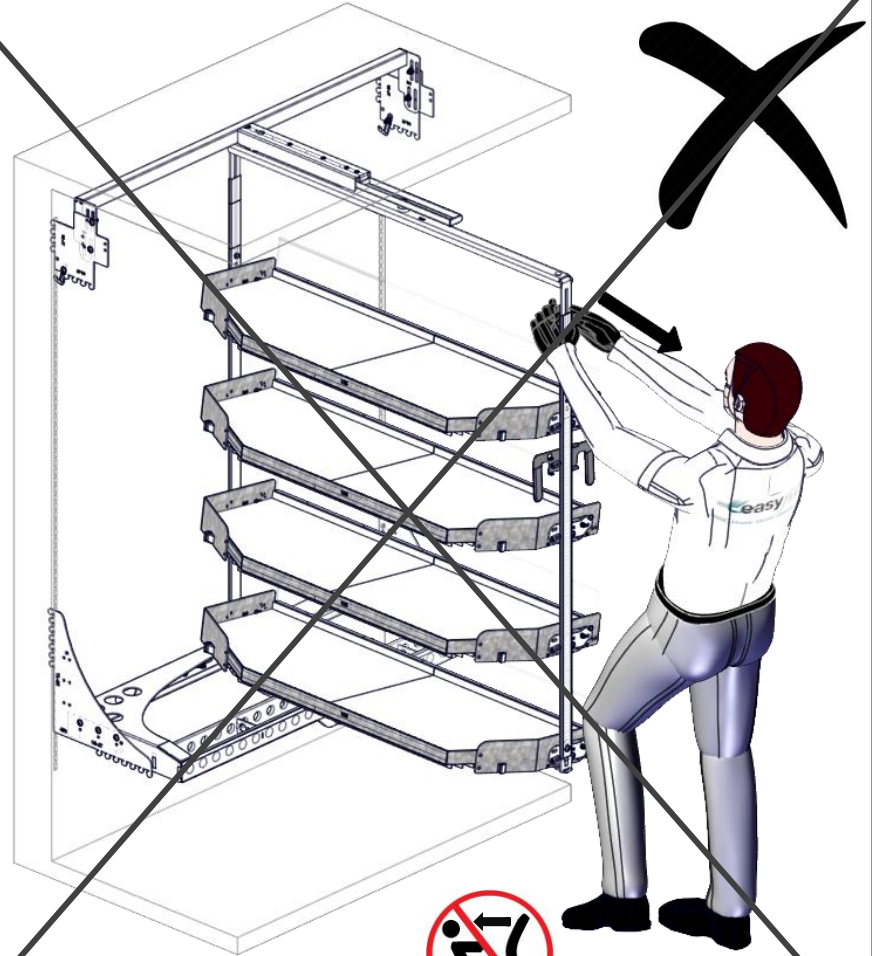
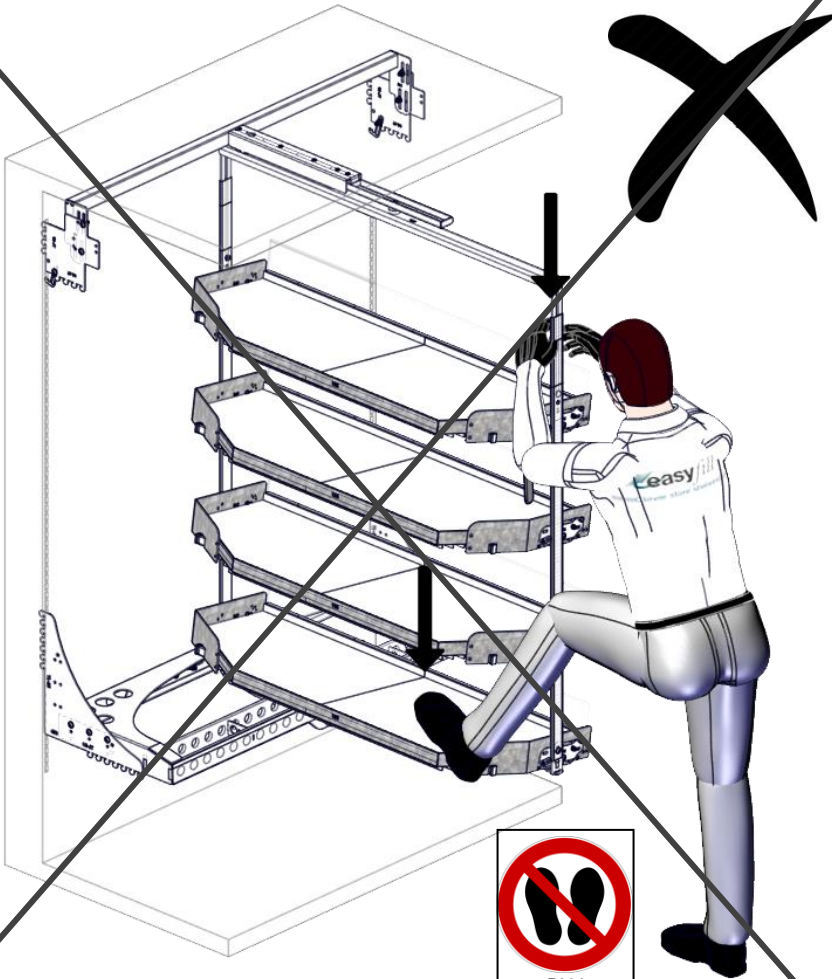
variant 1



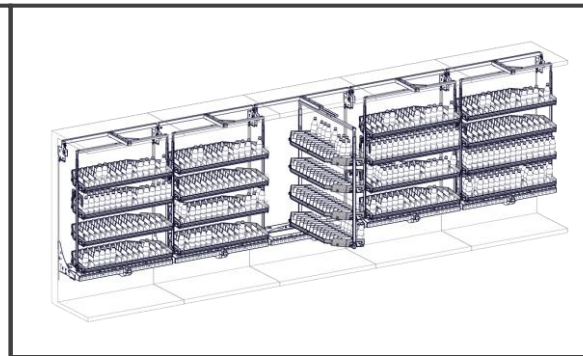
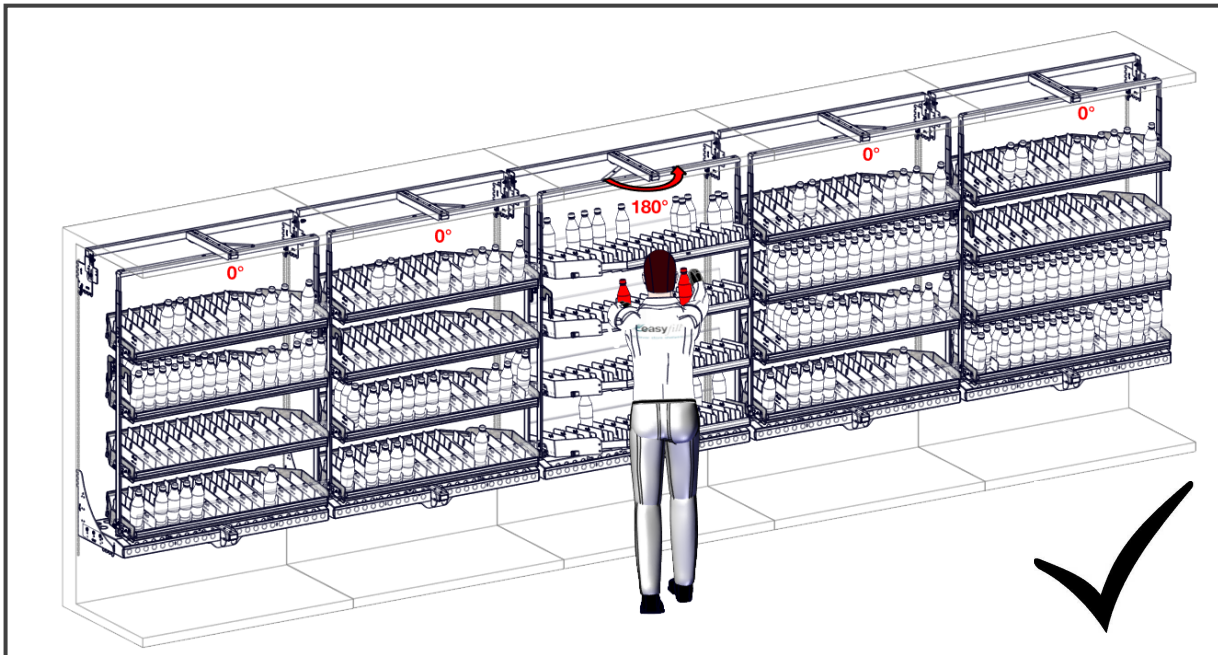
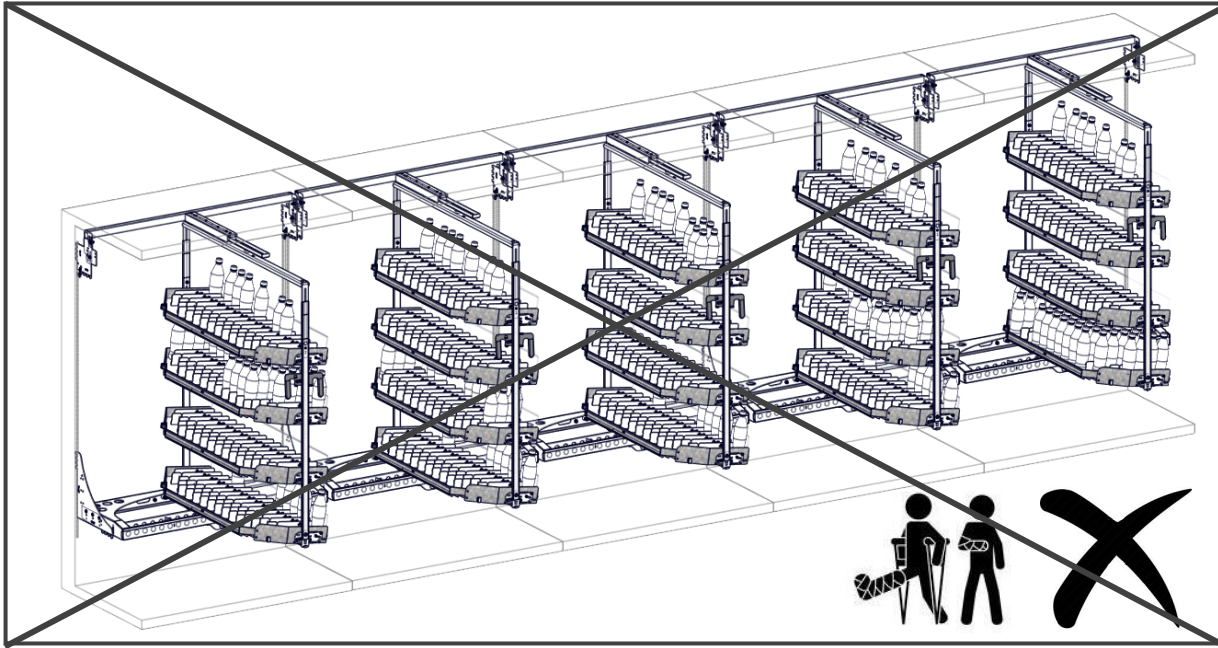
variant 2

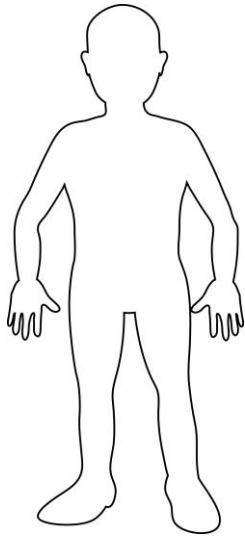


! WARNING !



! WARNING !

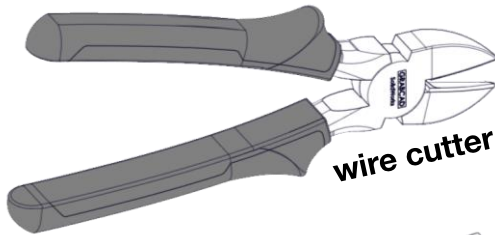




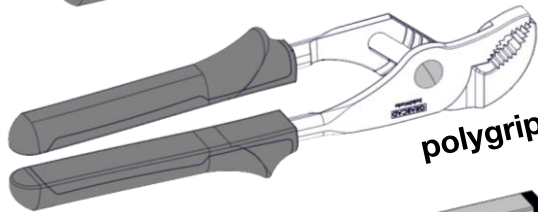
allen key 5



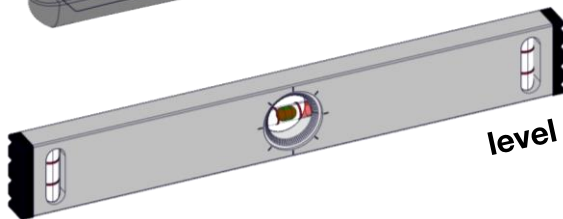
wrench 13



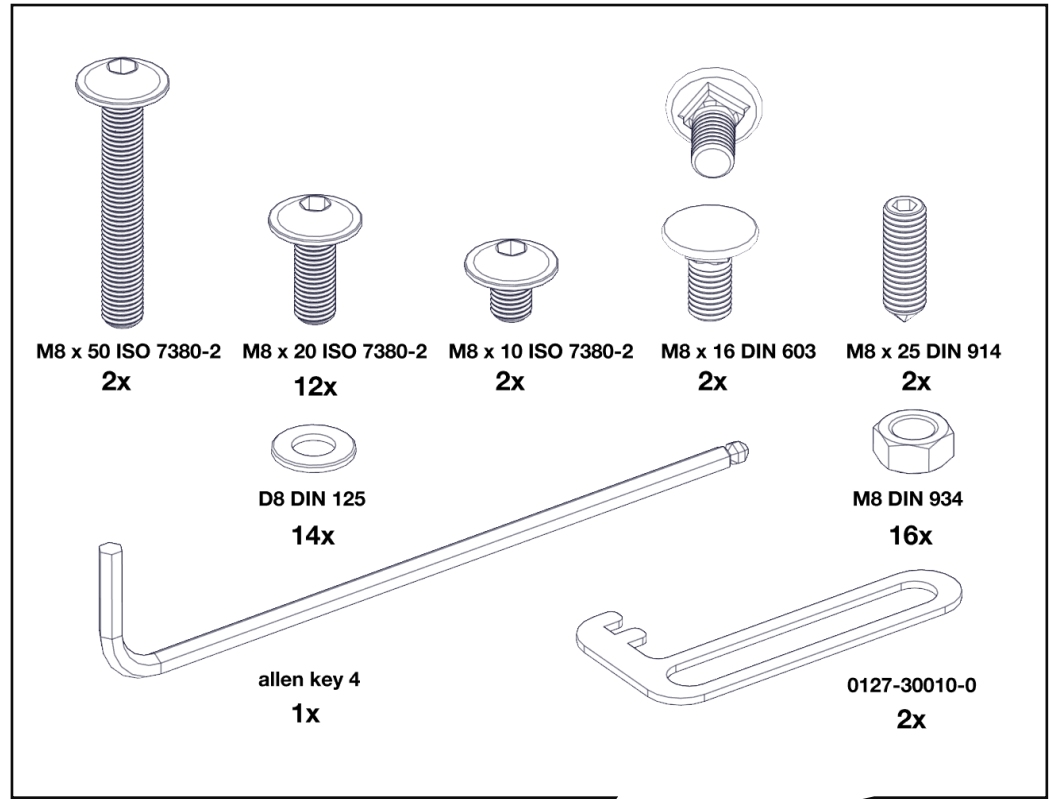
wire cutter



polygrip



level



M8 x 50 ISO 7380-2
2x

M8 x 20 ISO 7380-2
12x

M8 x 10 ISO 7380-2
2x

M8 x 16 DIN 603
2x

M8 x 25 DIN 914
2x

D8 DIN 125
14x

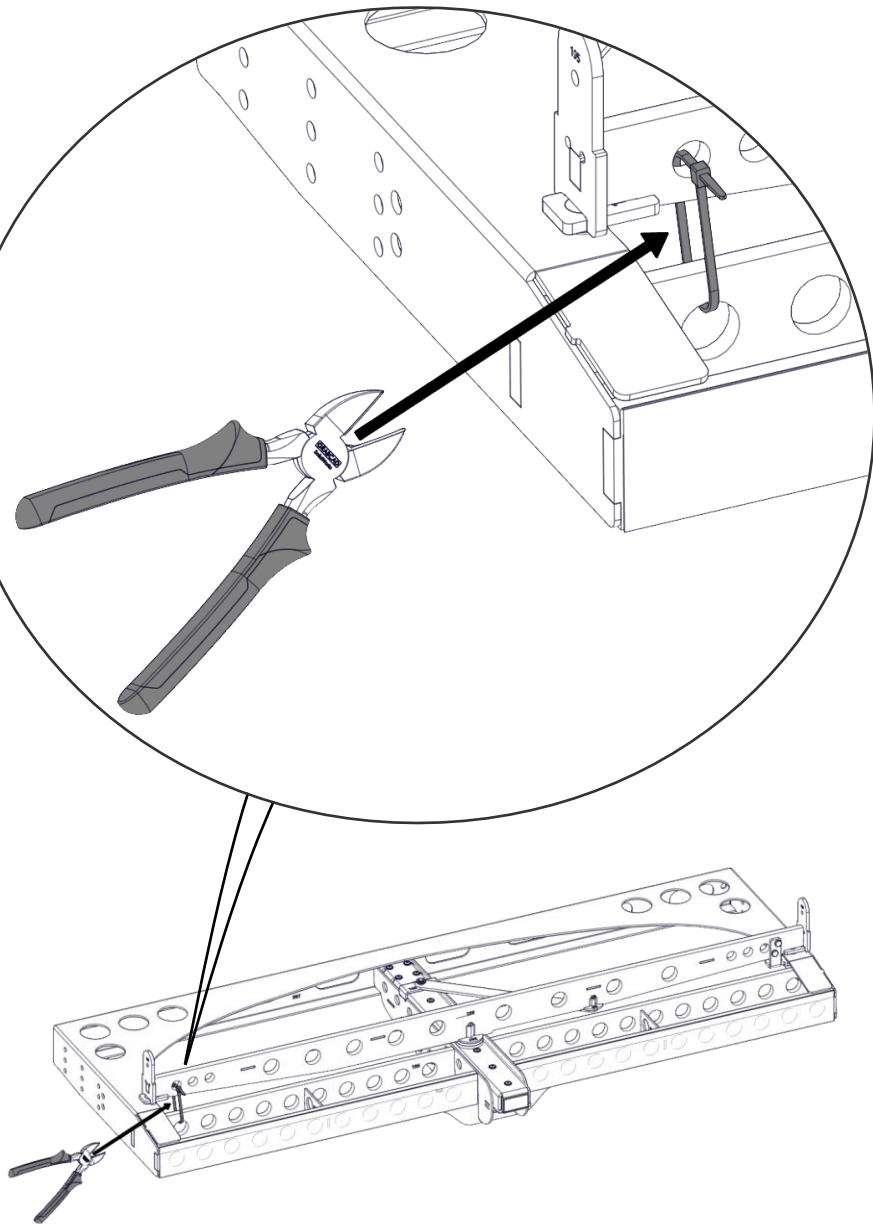
M8 DIN 934
16x

allen key 4
1x

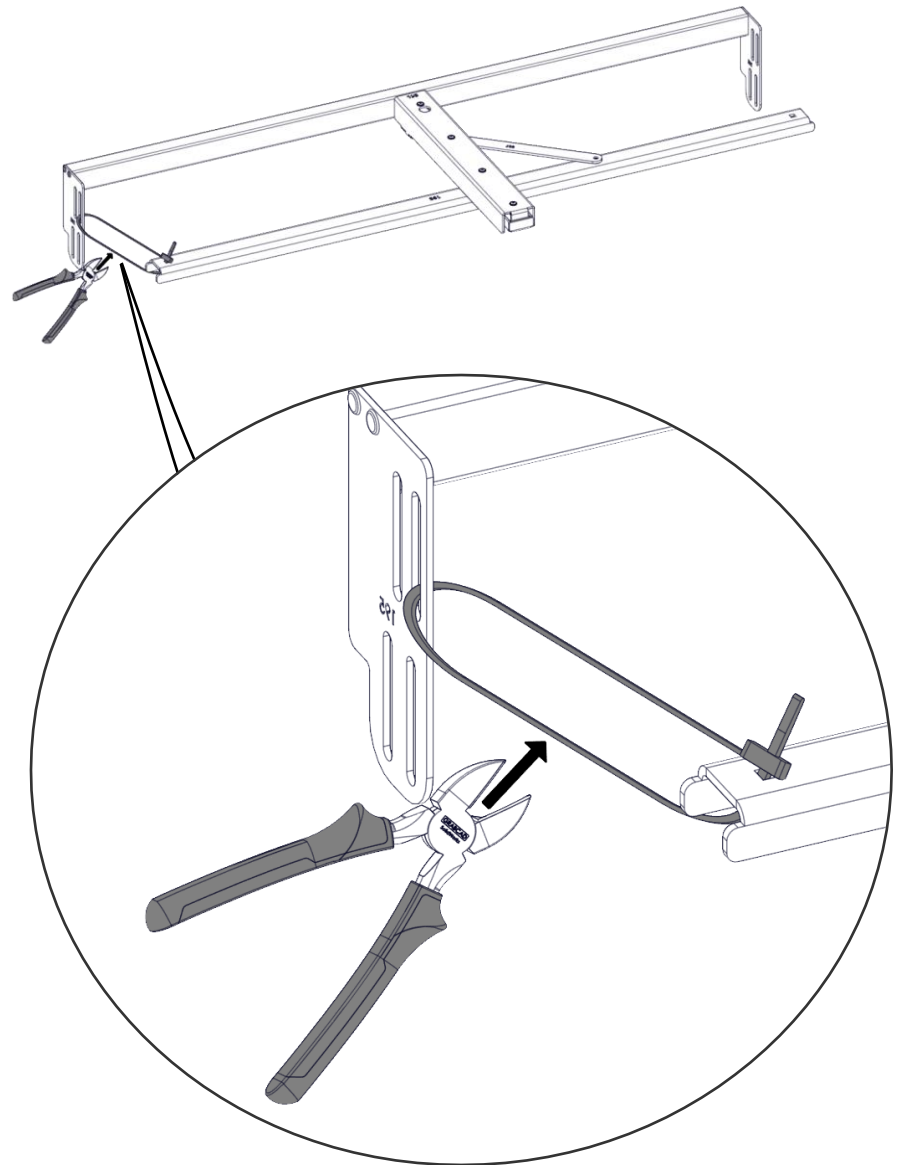
0127-30010-0
2x



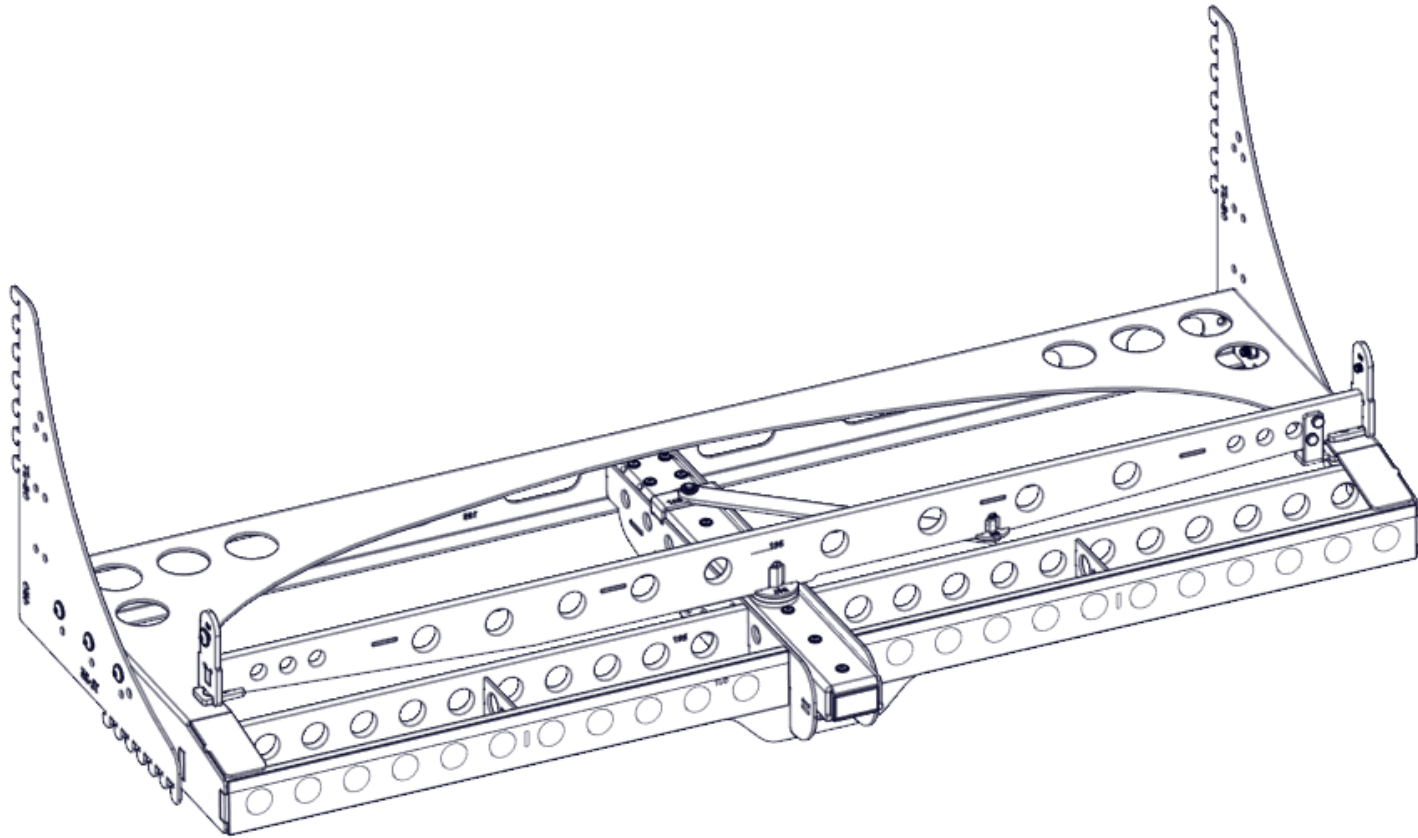
Bottom part



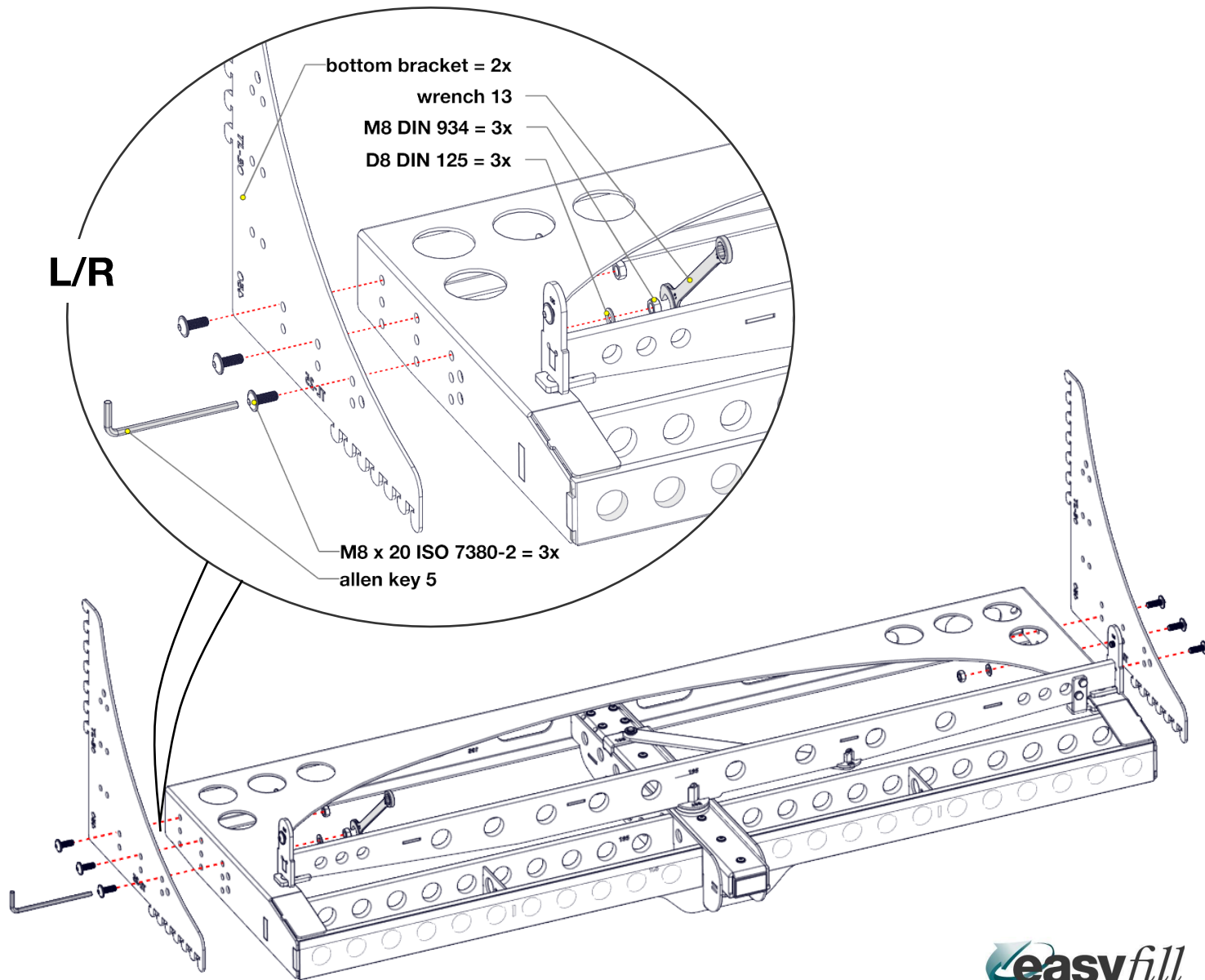
Top part



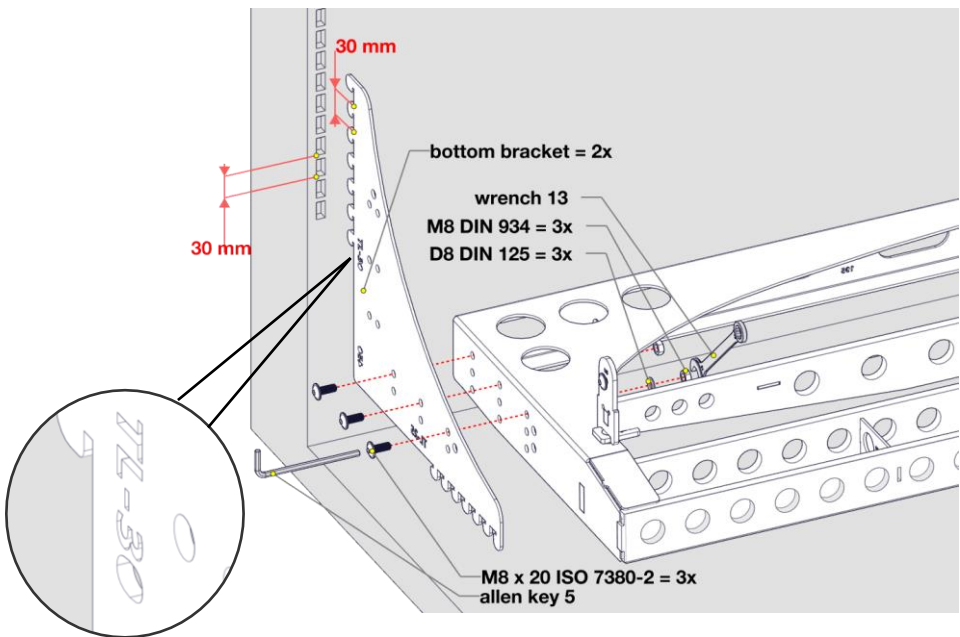
Installation of bottom part + bottom brackets



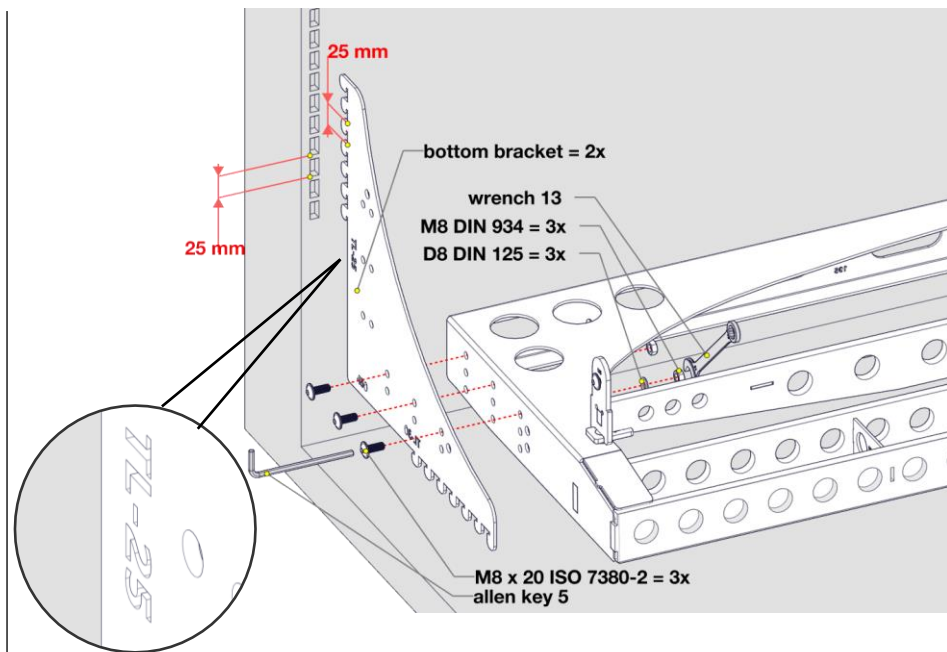
Installation of bottom part + bottom brackets



Installation of bottom part + bottom brackets

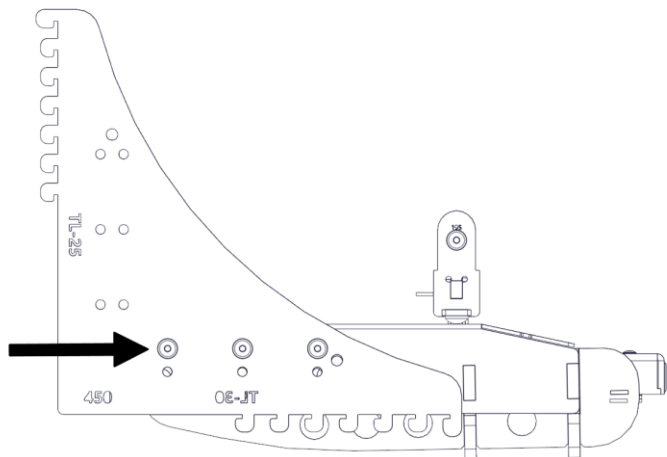


brackets 30 - bottom L/R

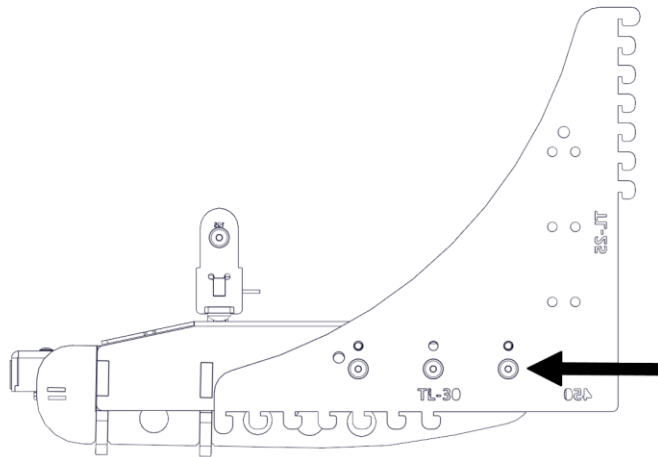


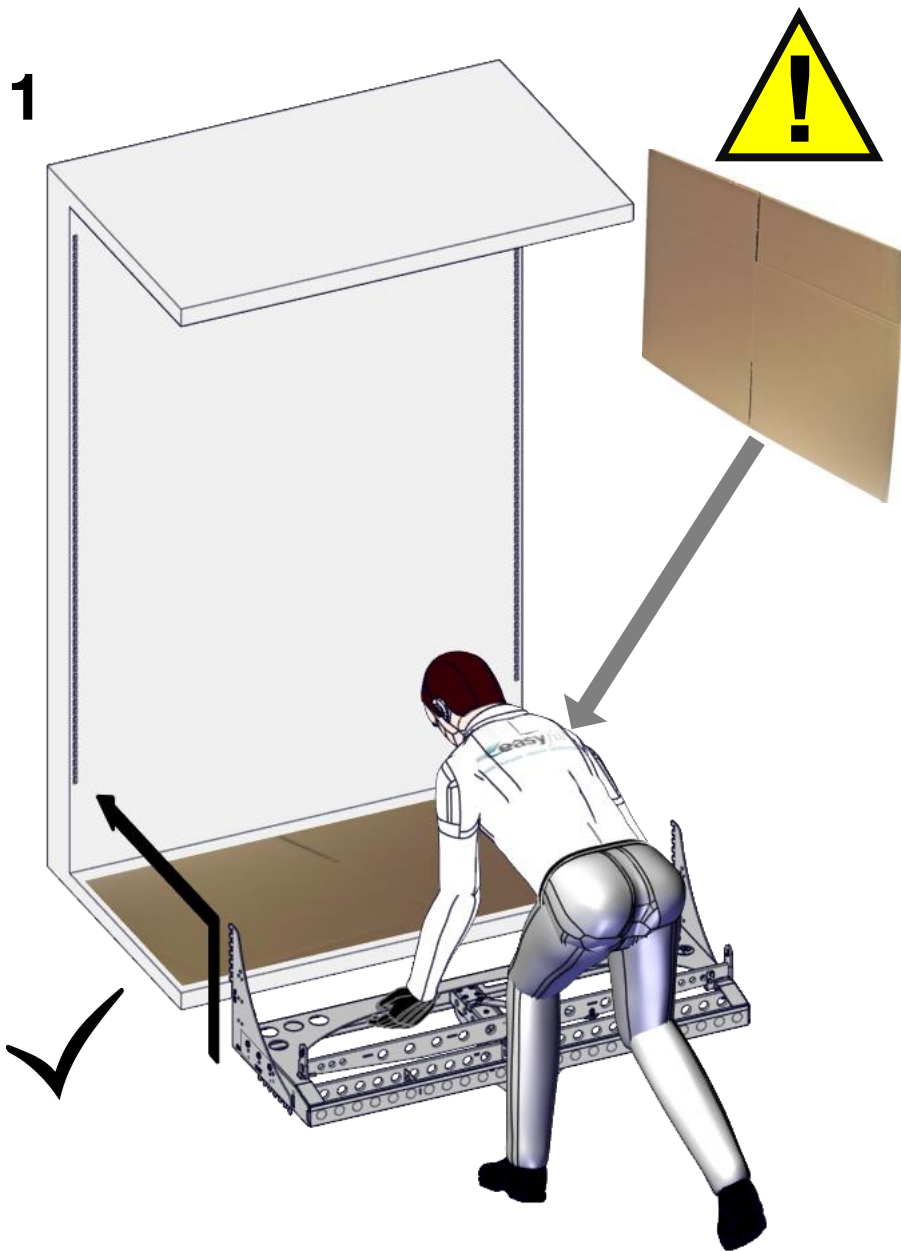
brackets 25 - bottom L/R

Left

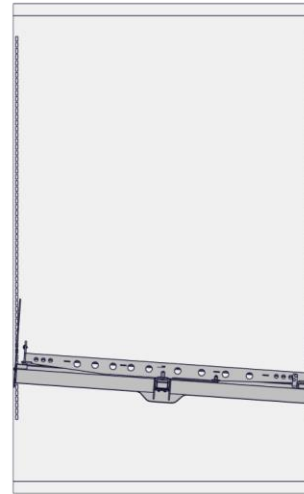


Right

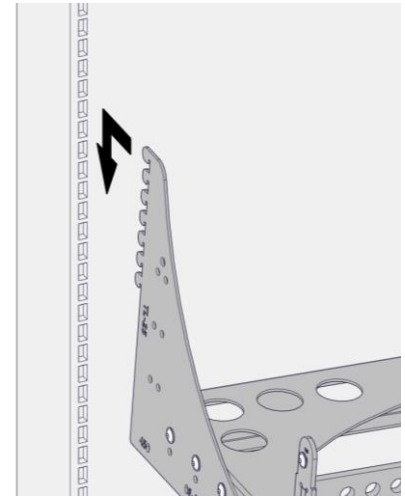




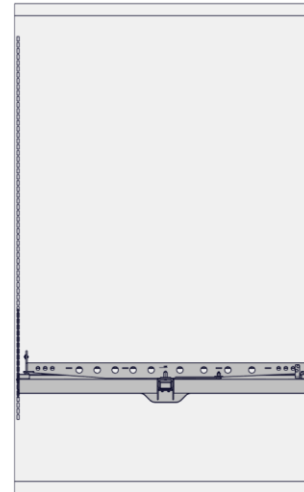
1a



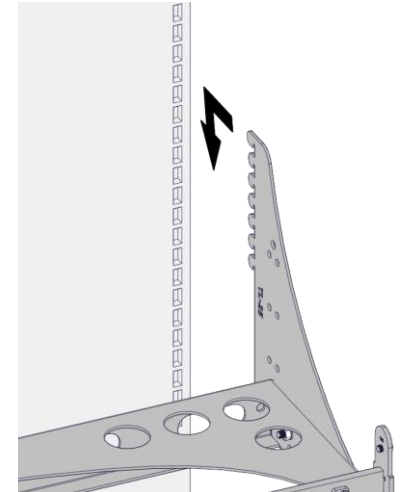
1b



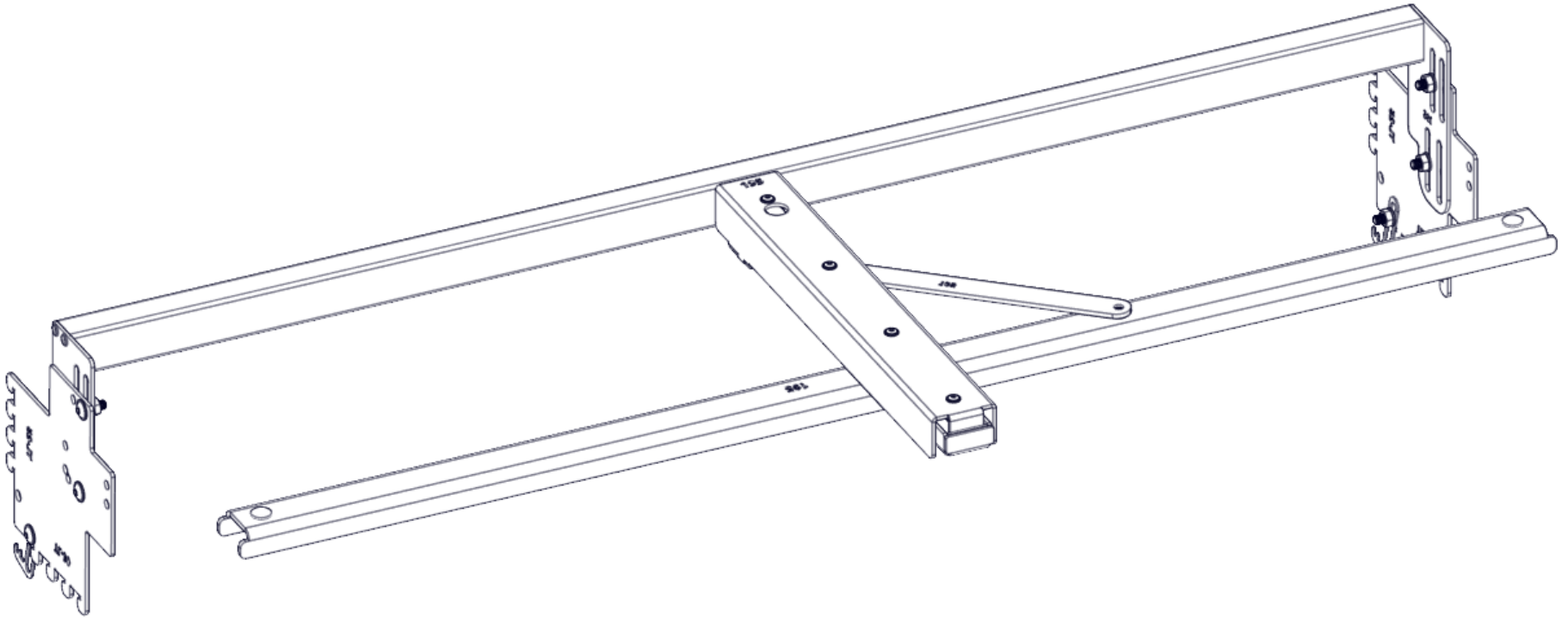
1c



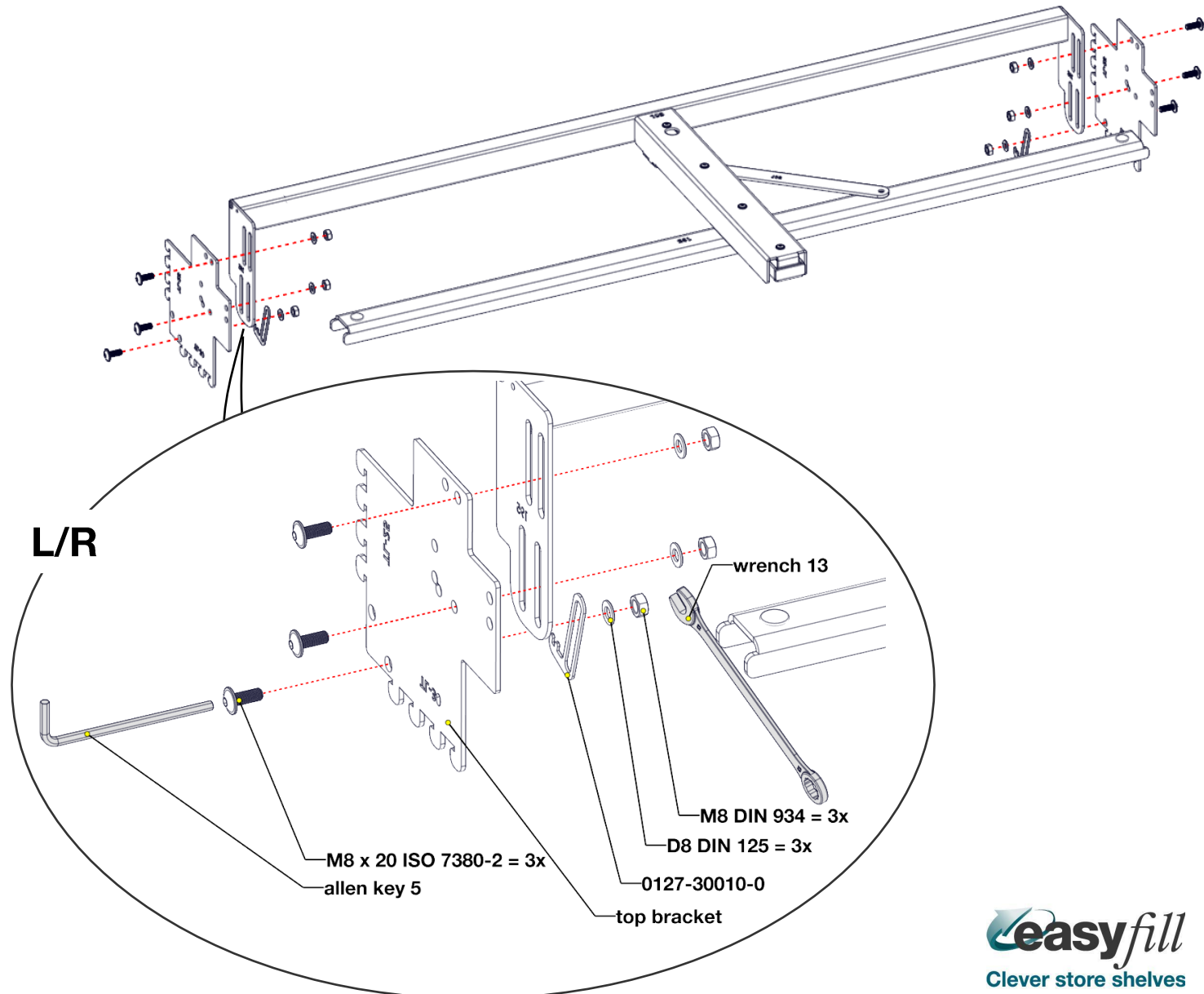
1d



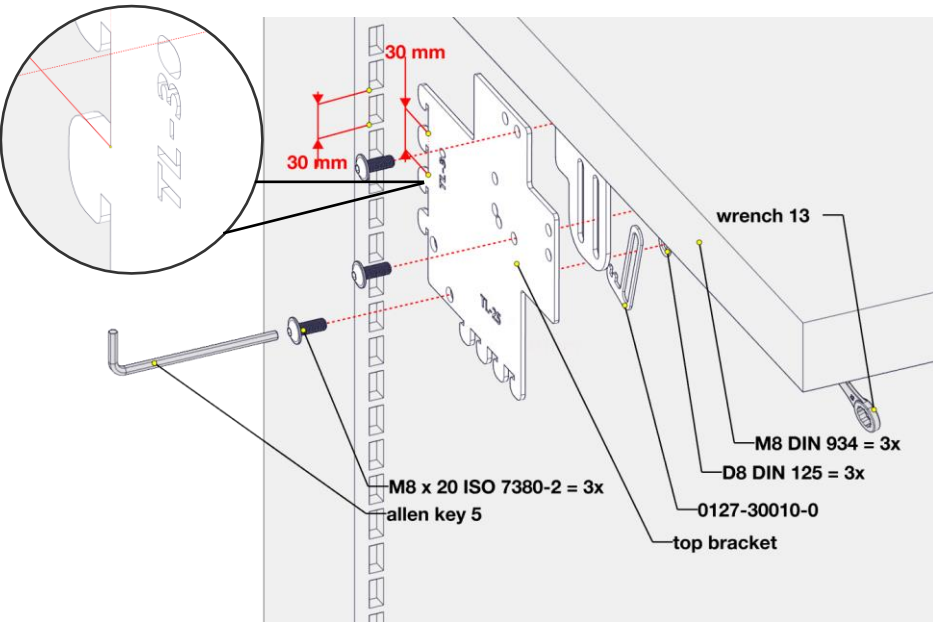
Installation of top part + top brackets



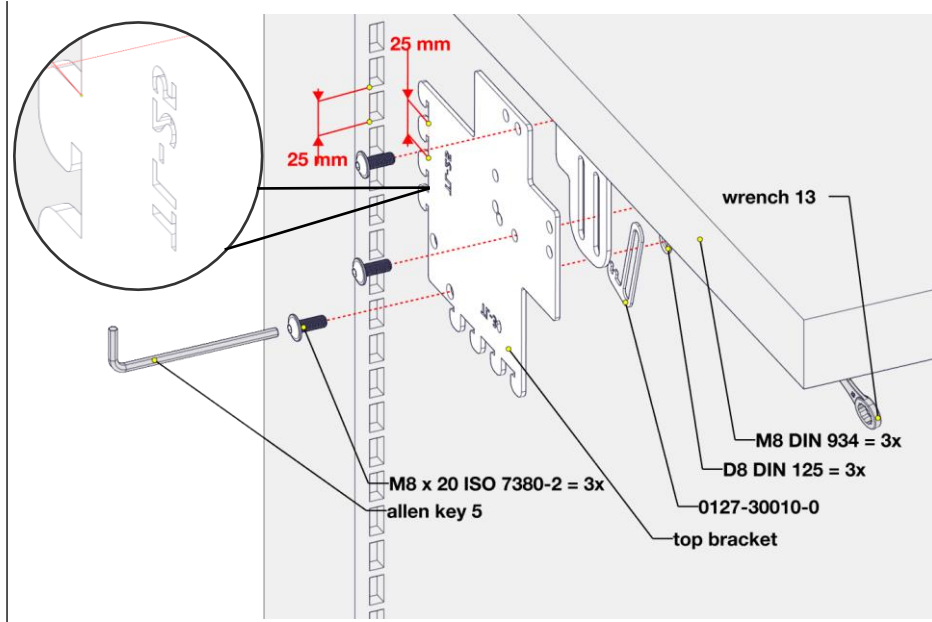
Installation of top part + top brackets



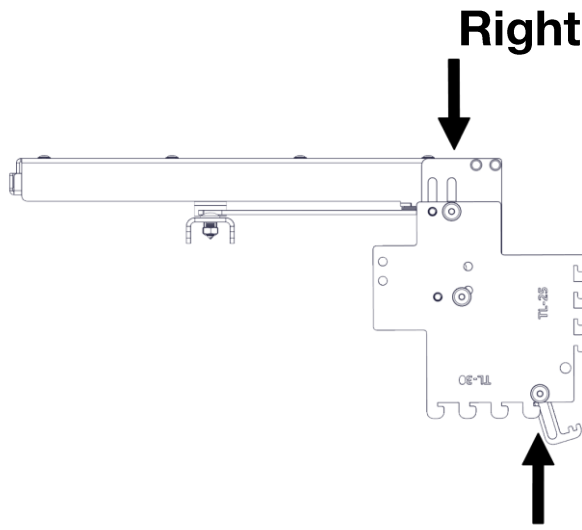
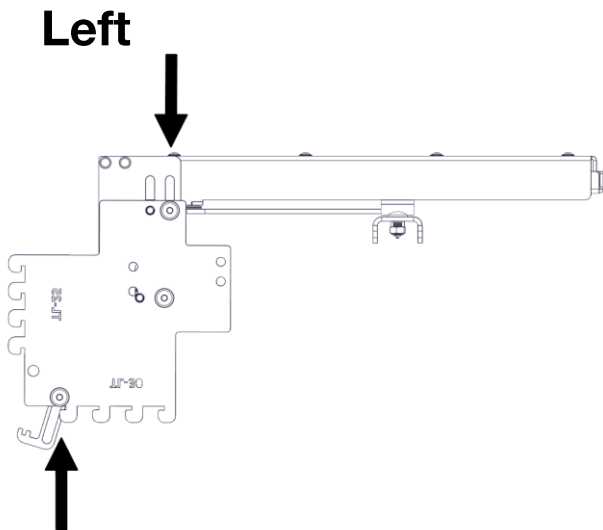
Installation of top part + top brackets



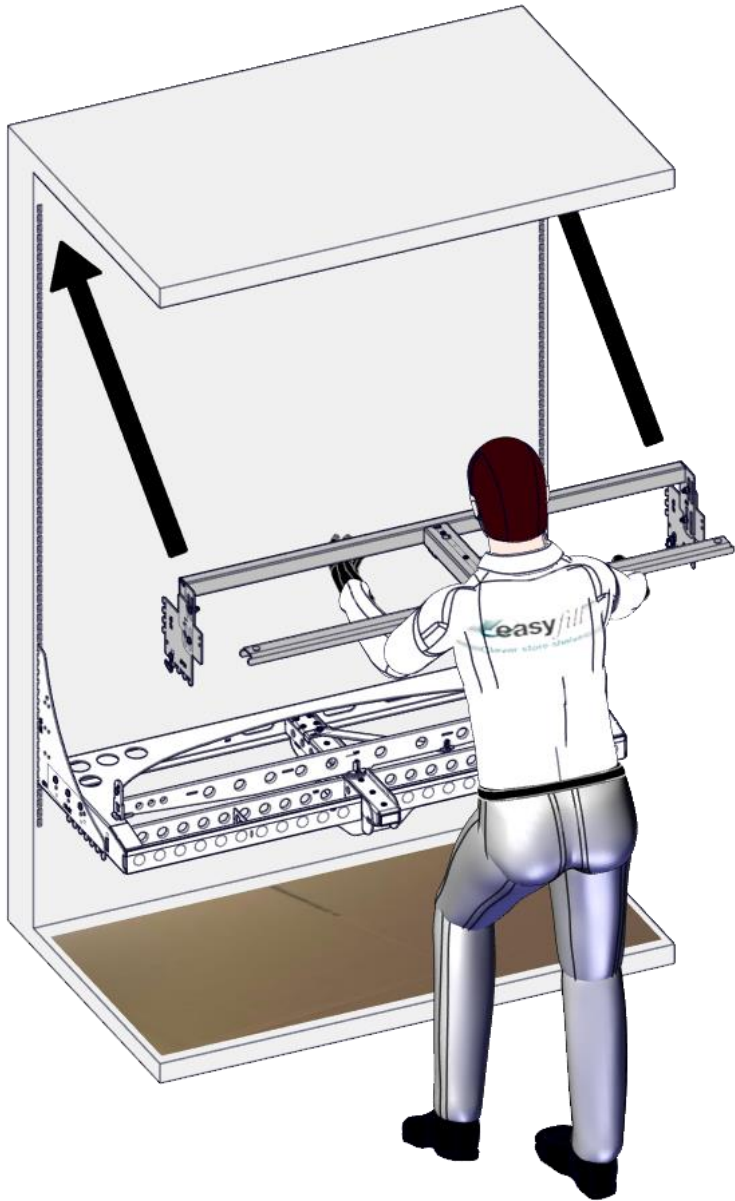
brackets 30 - top L/R



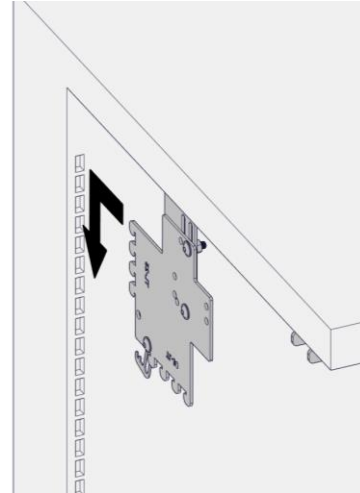
brackets 25 - top L/R



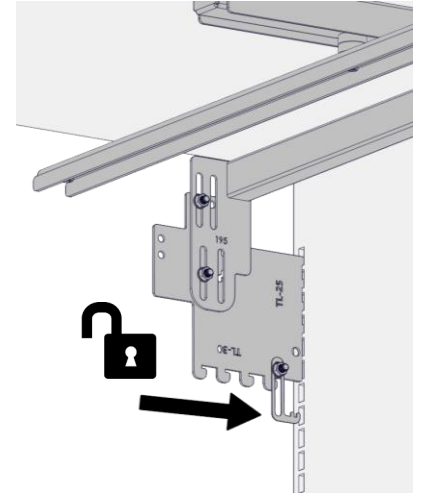
2



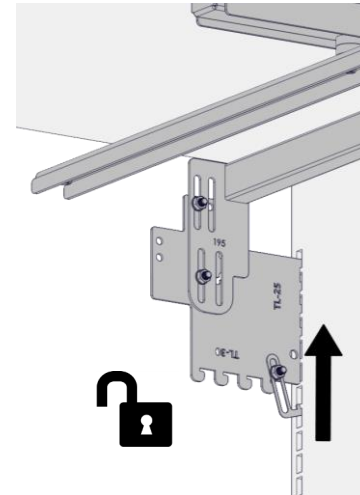
2a



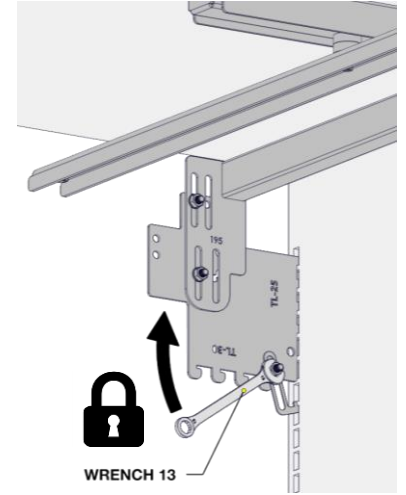
2b



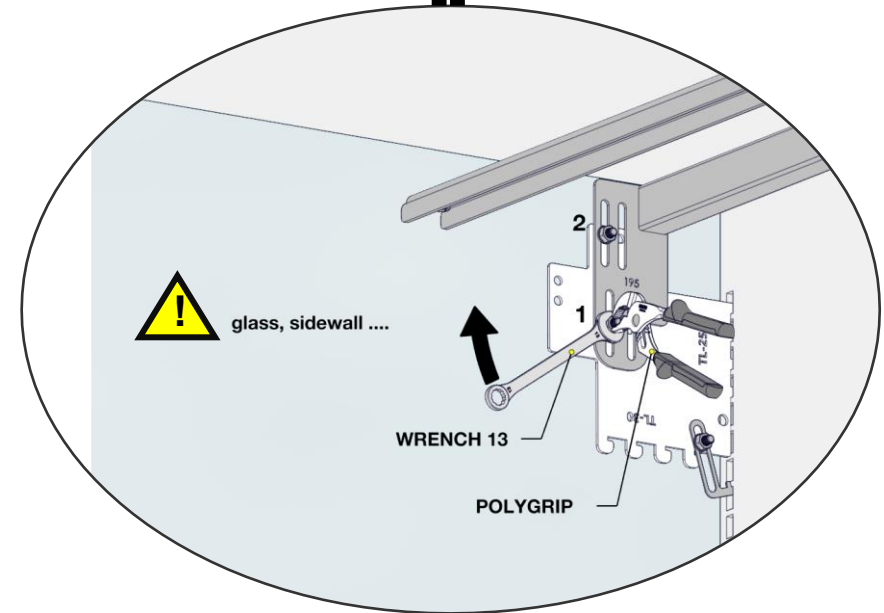
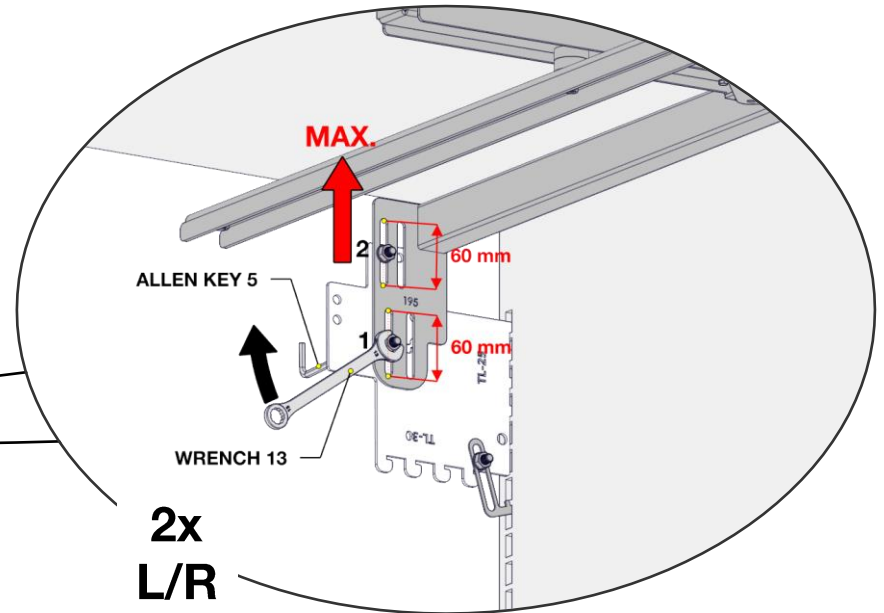
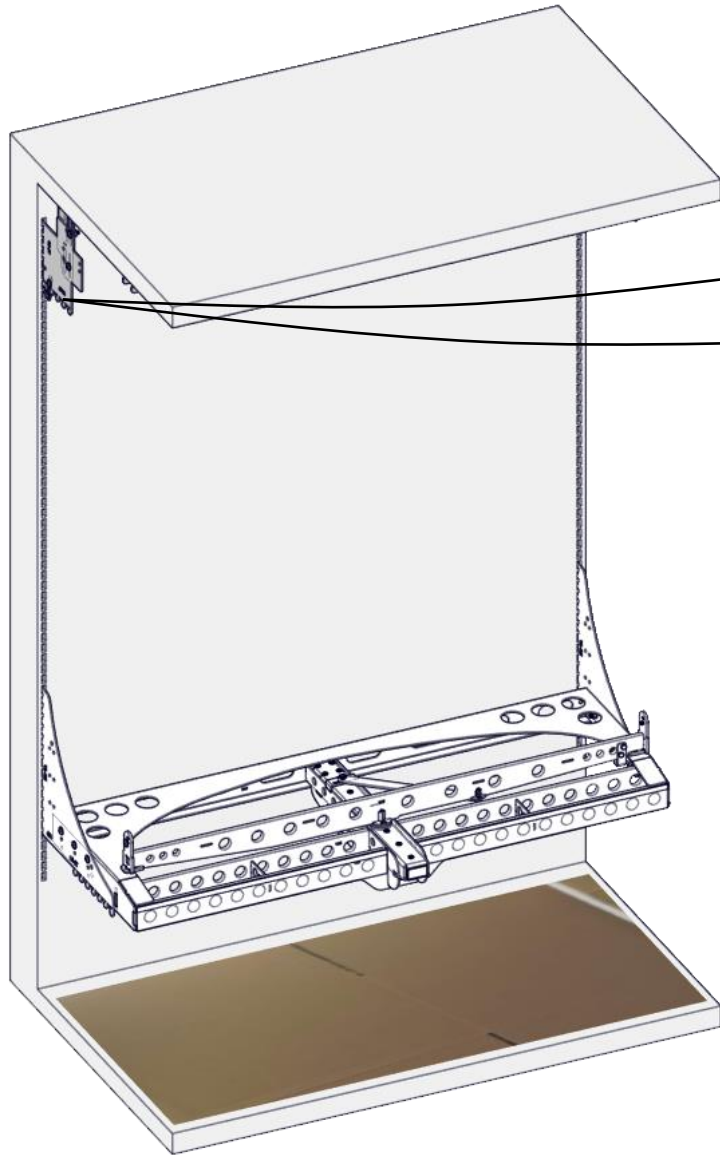
2c



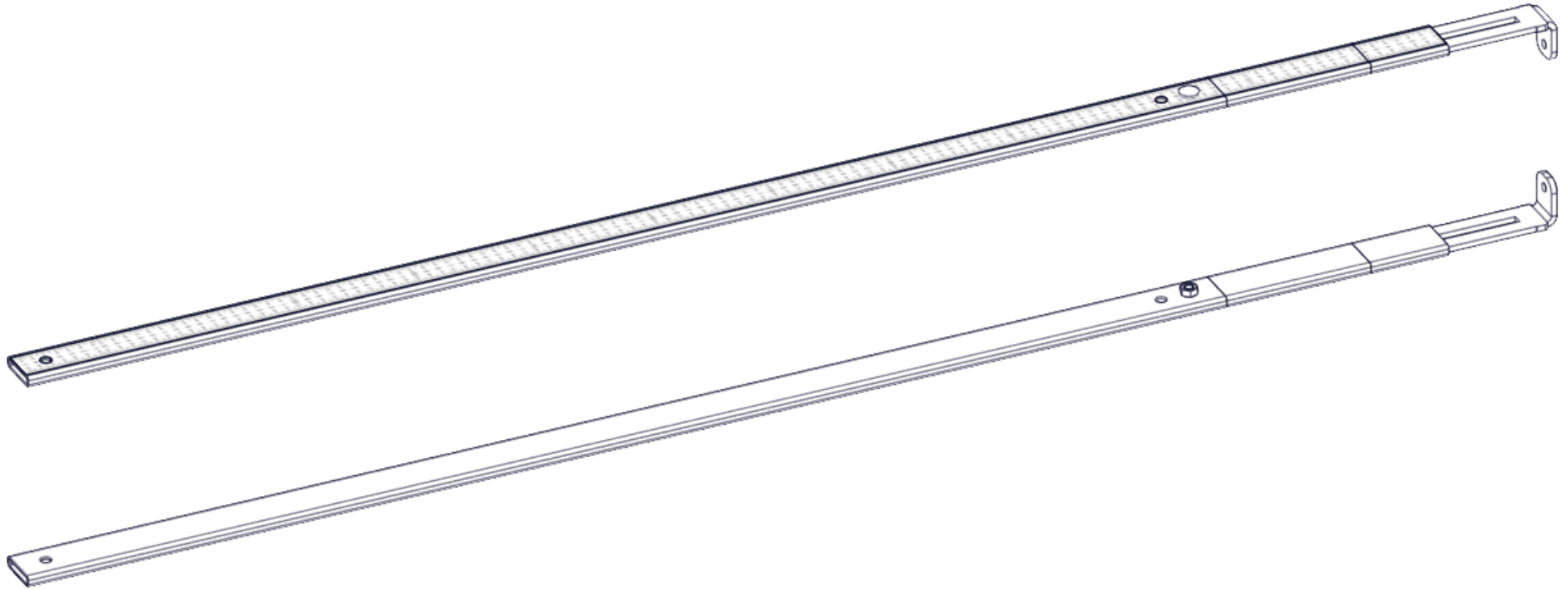
2d



3

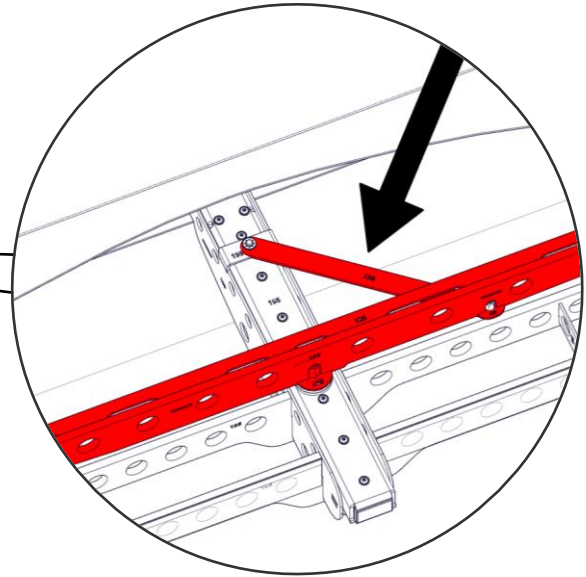
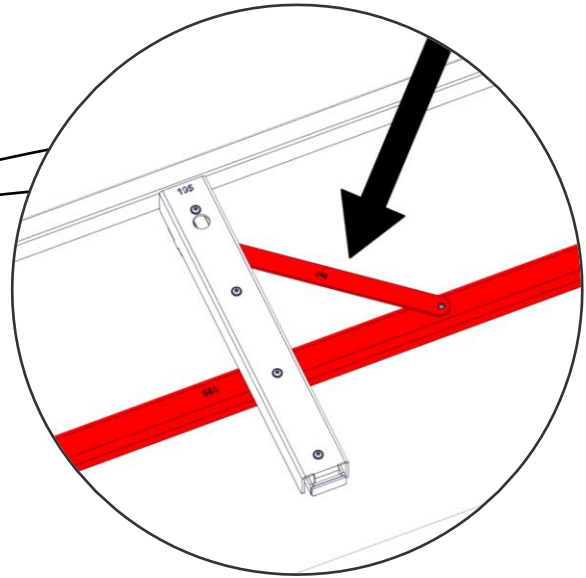
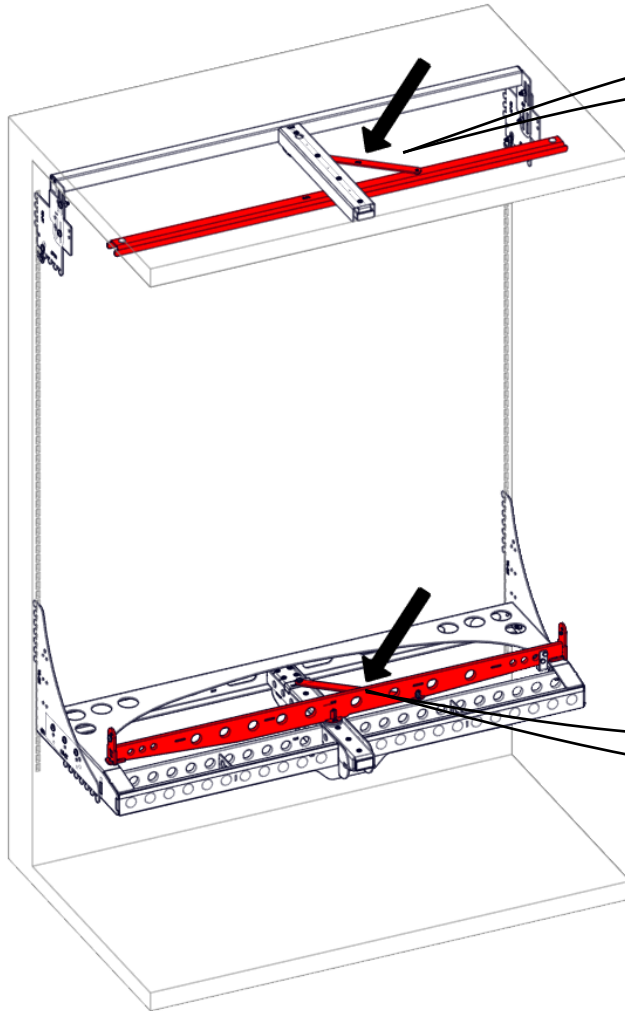


Adjustable frame

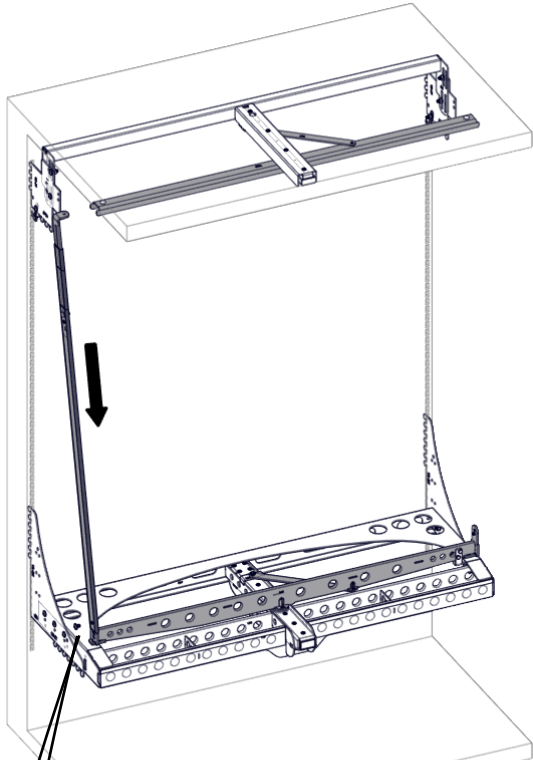


4

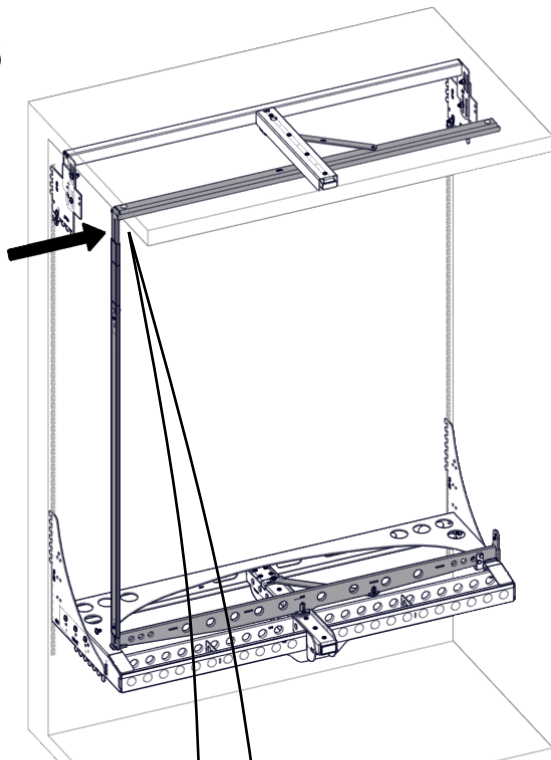
Base position



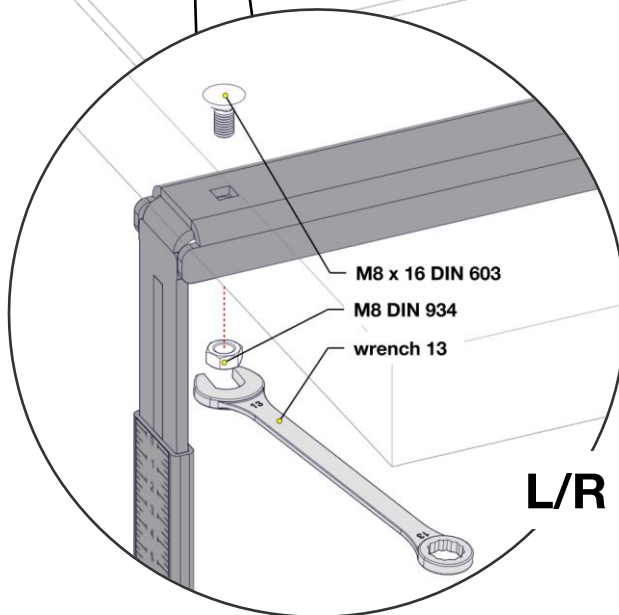
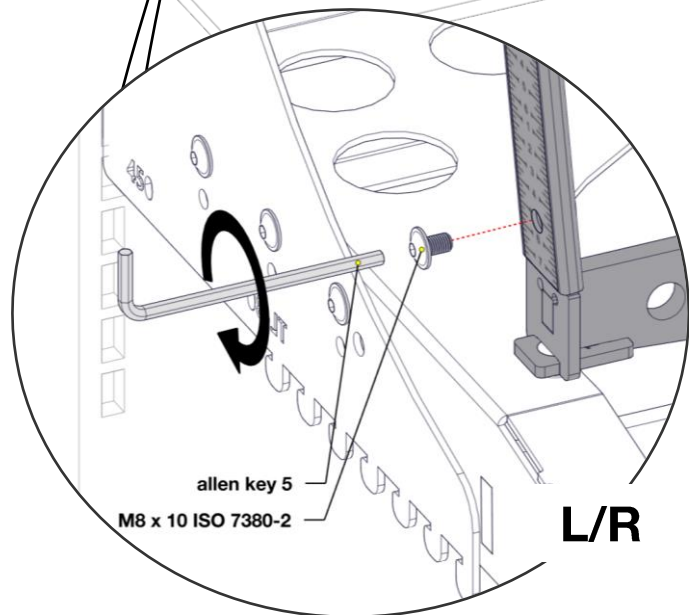
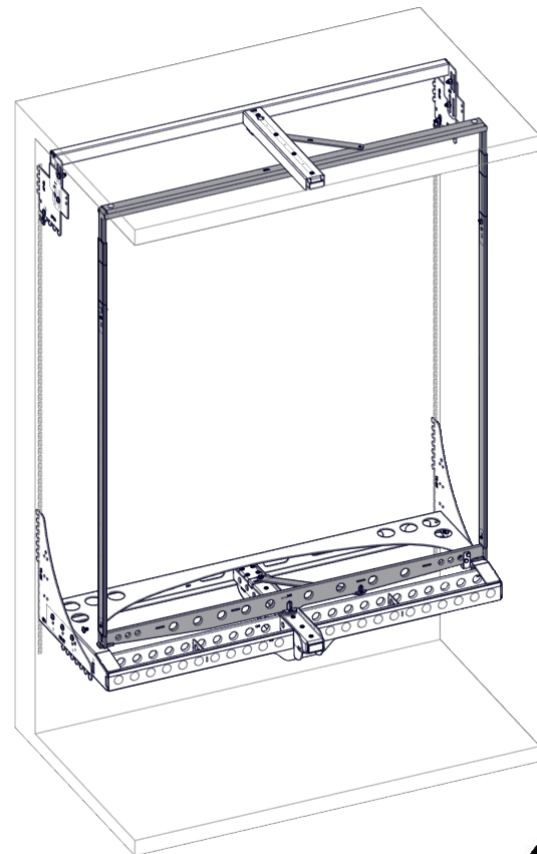
5



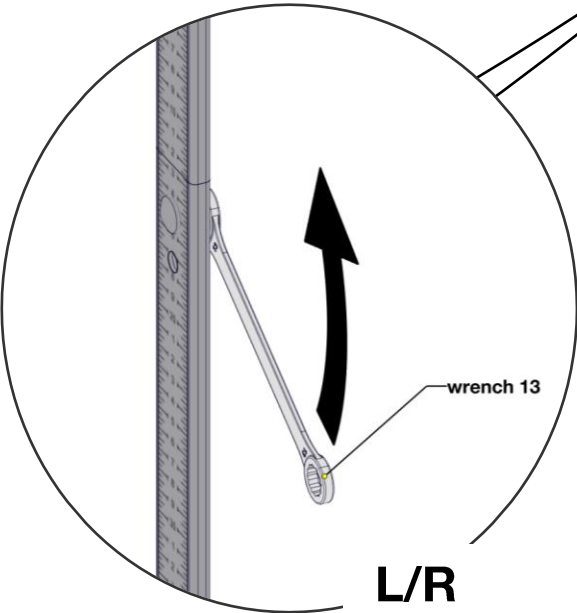
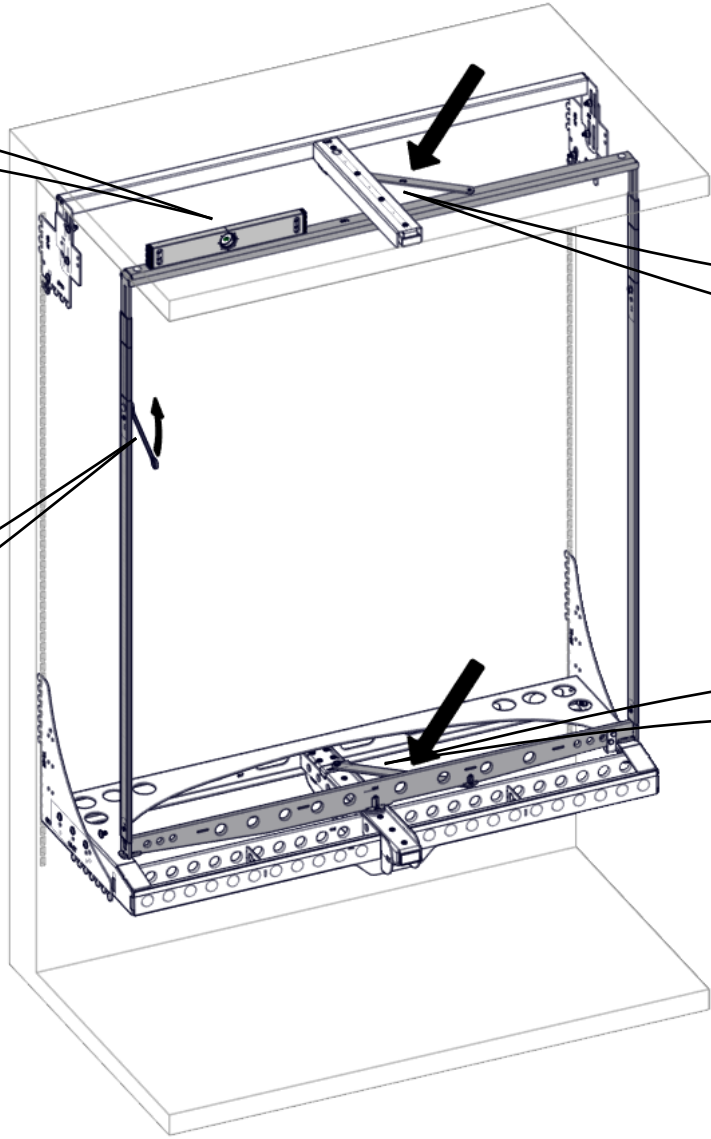
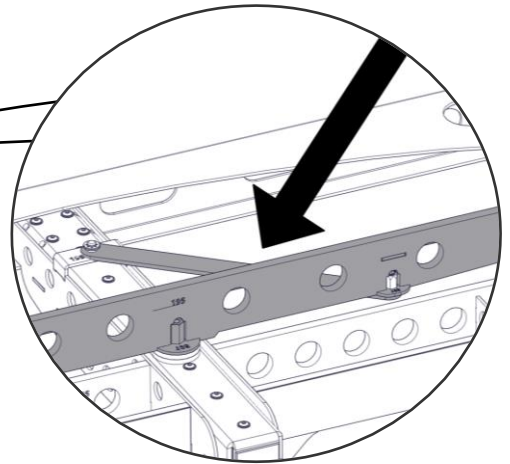
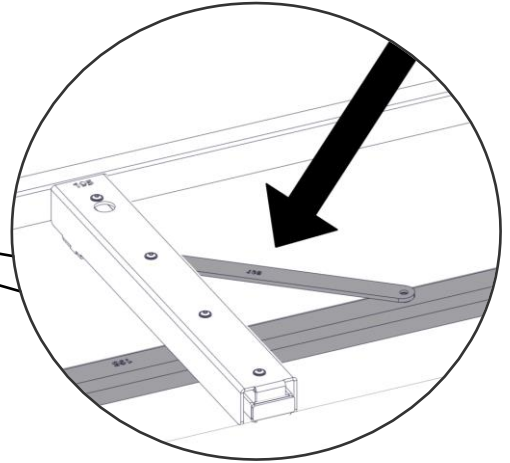
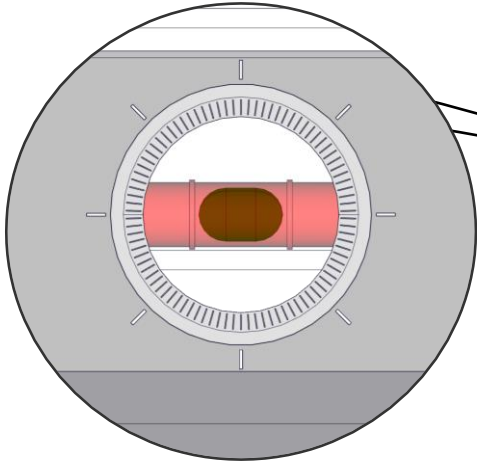
6



7



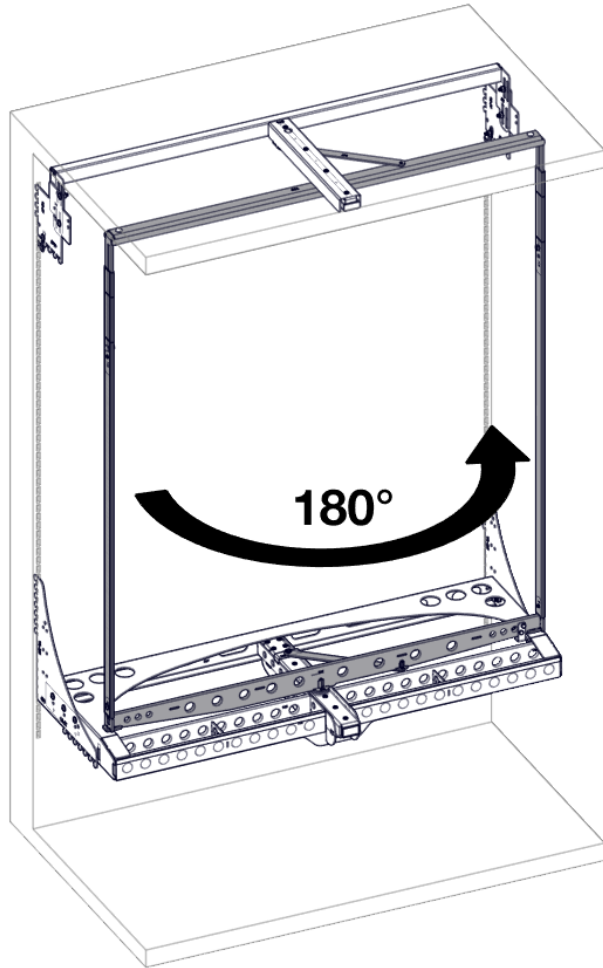
8



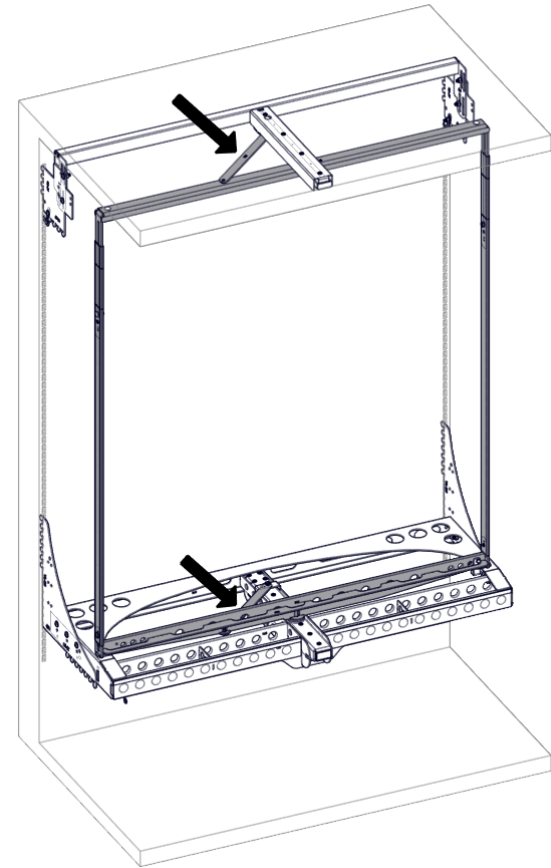
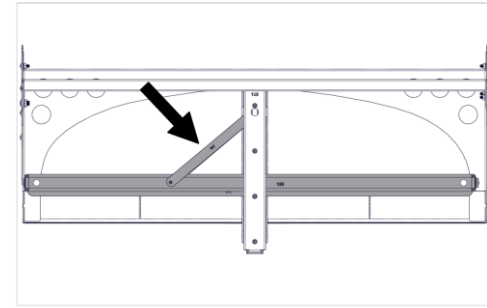
wrench 13

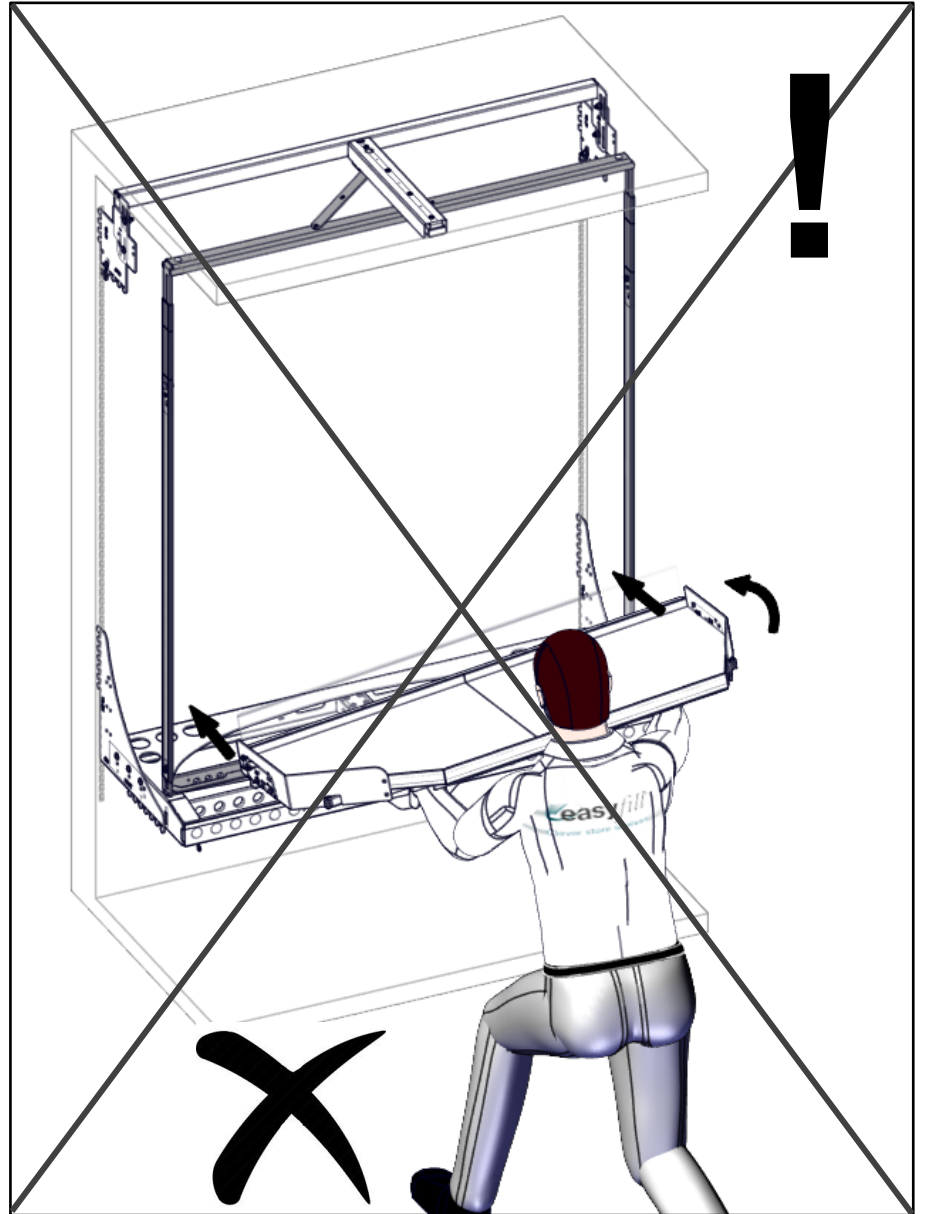
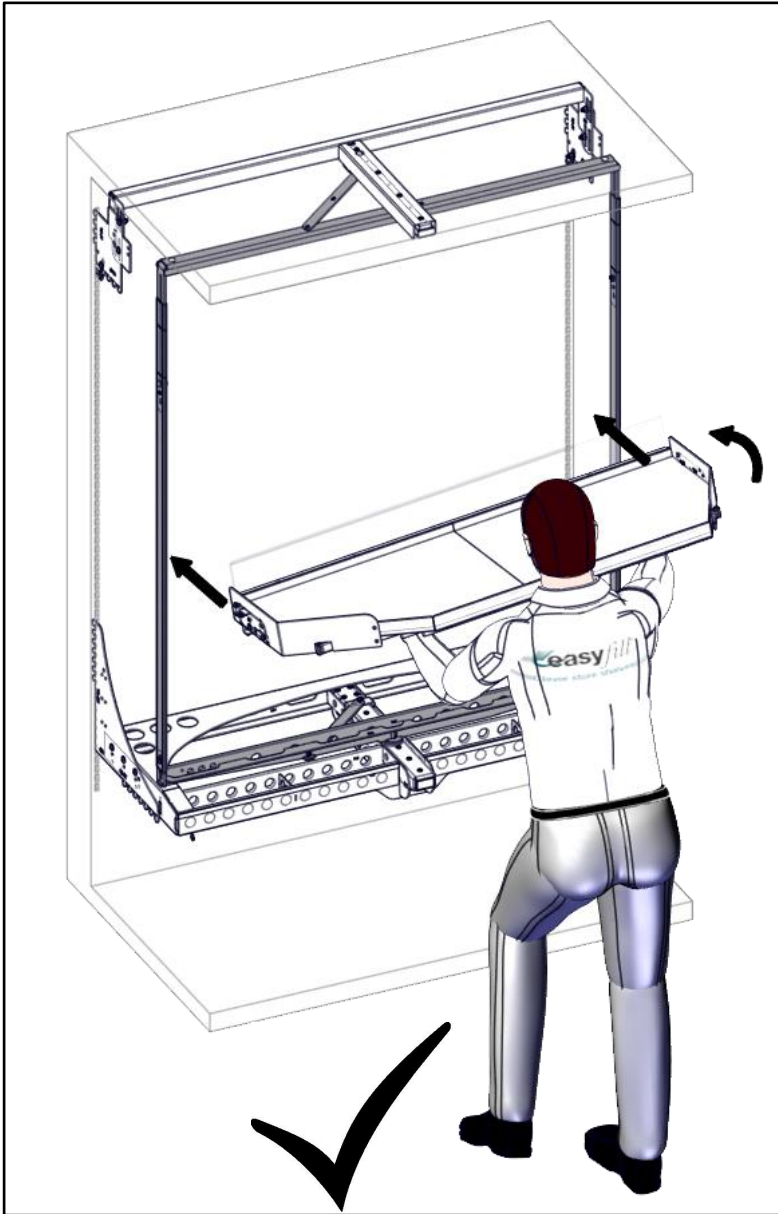
L/R

9

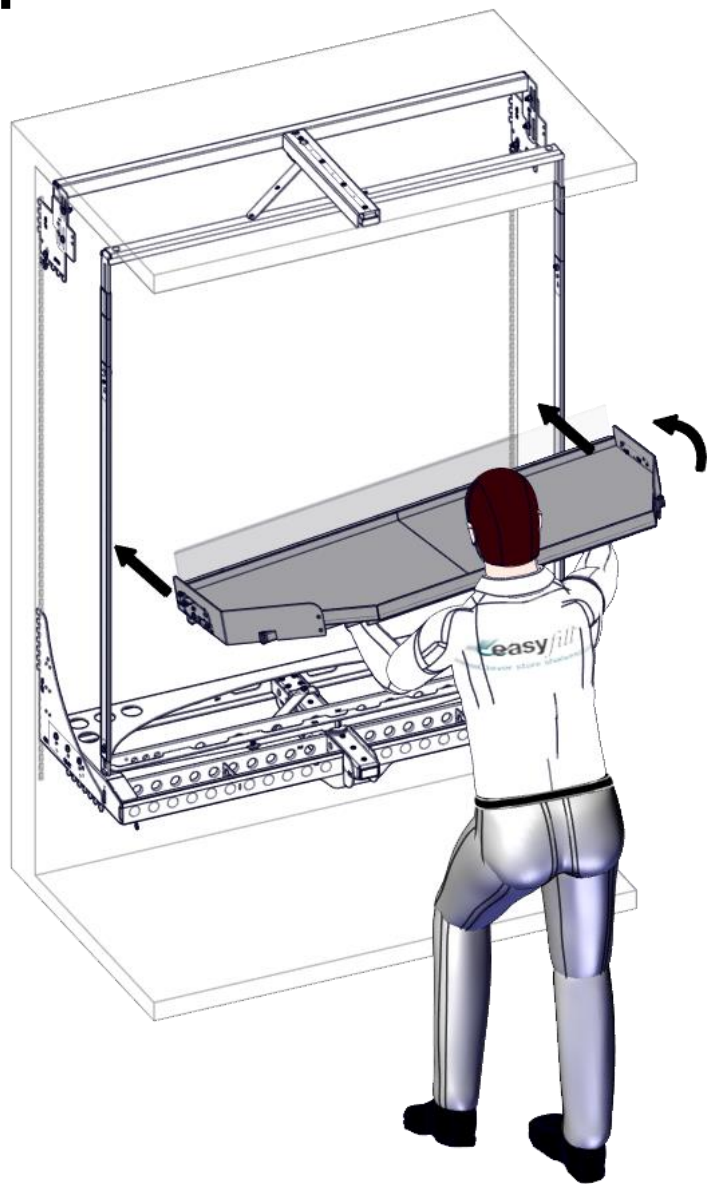


10

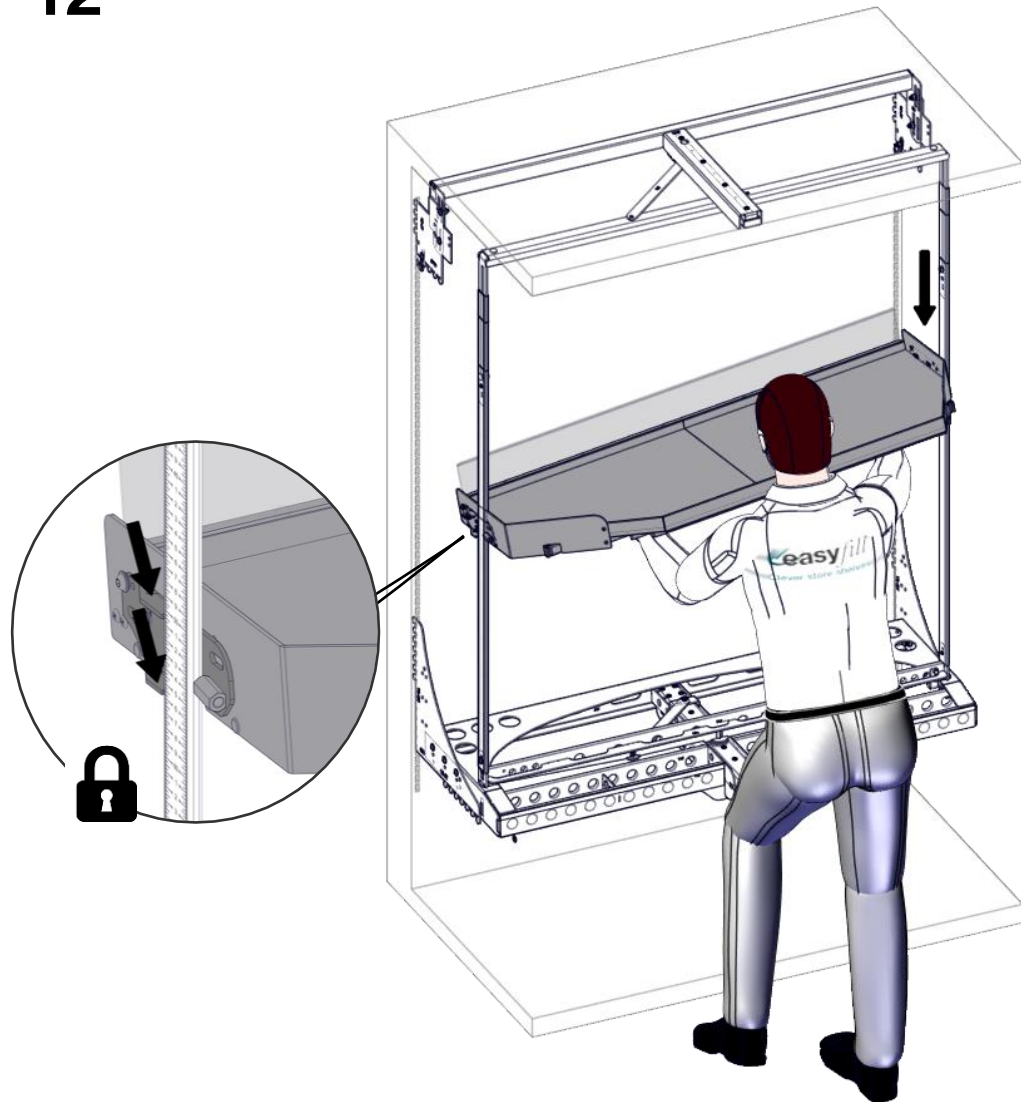




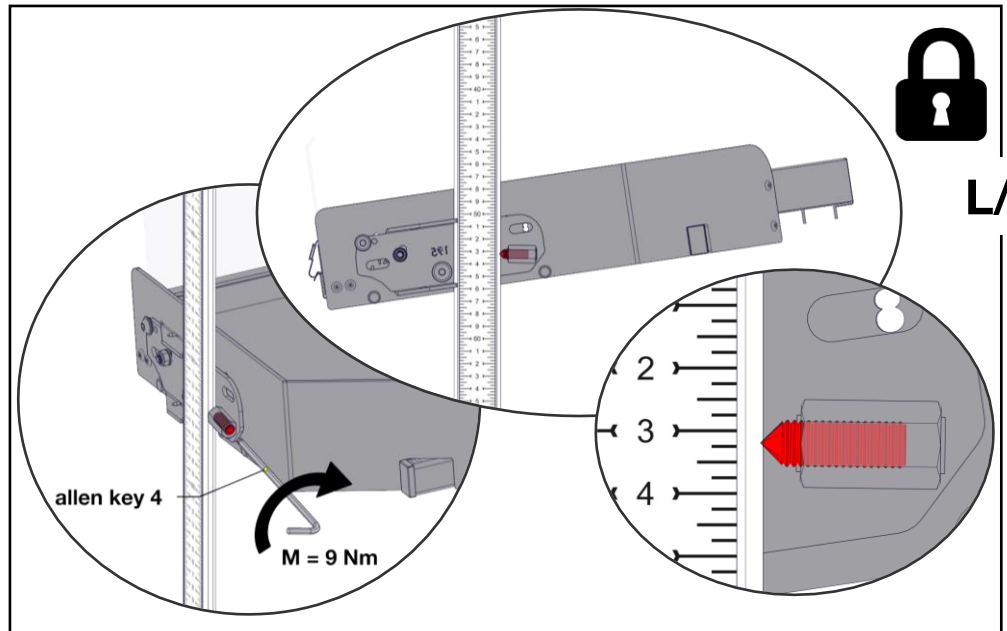
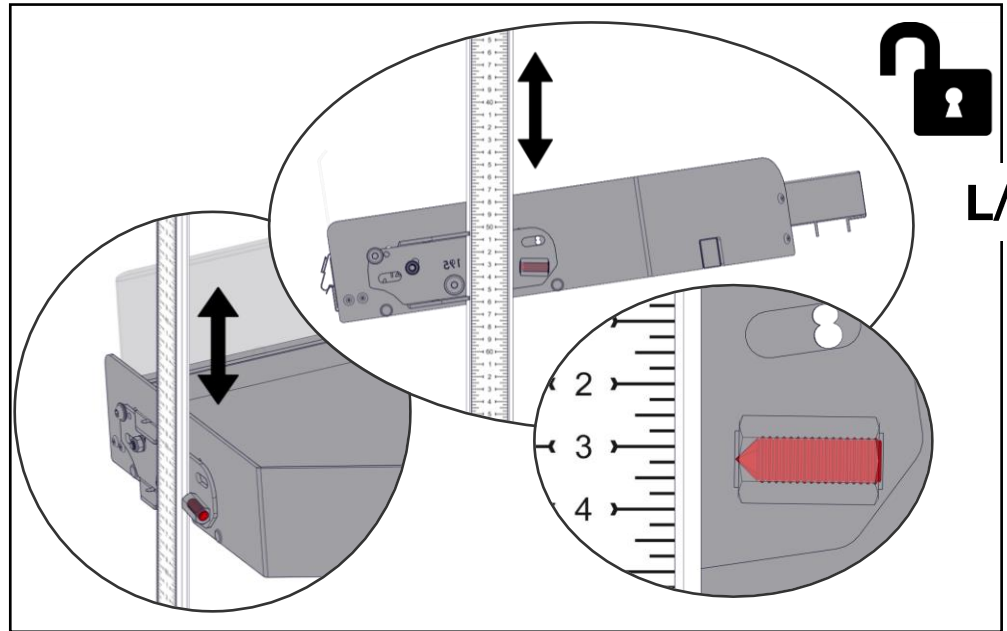
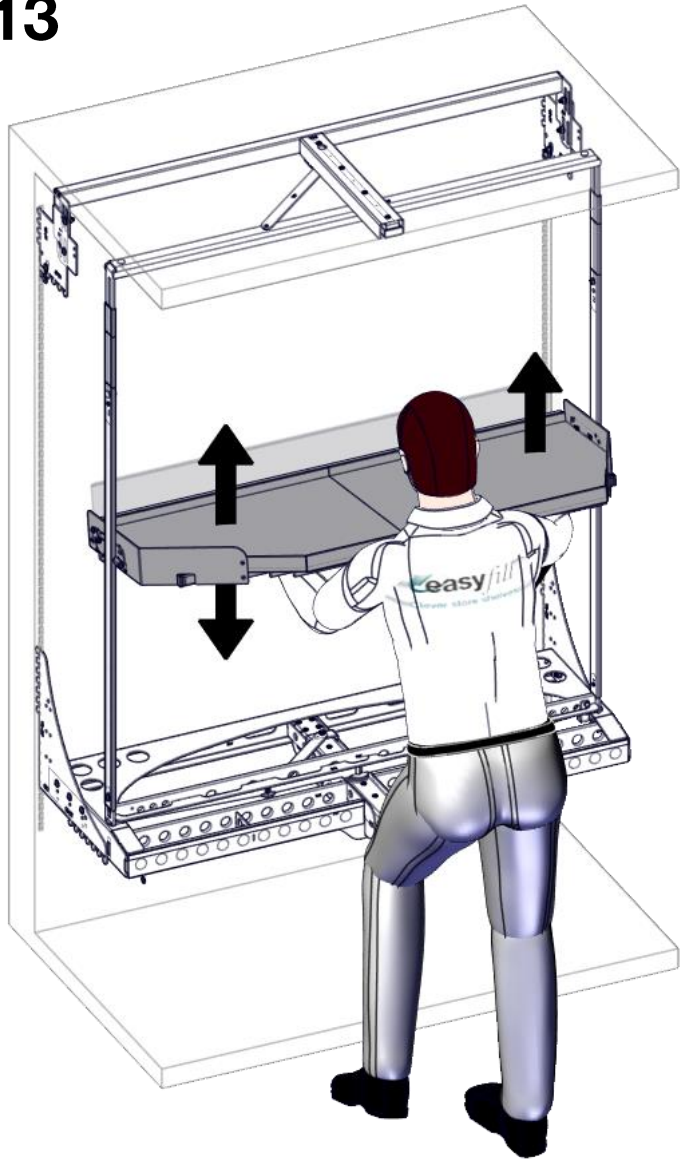
11



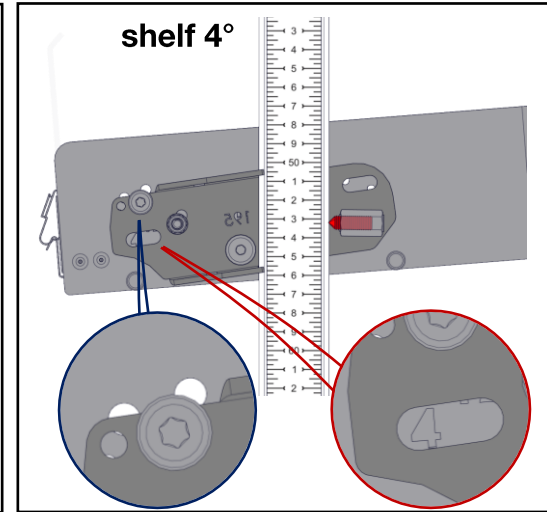
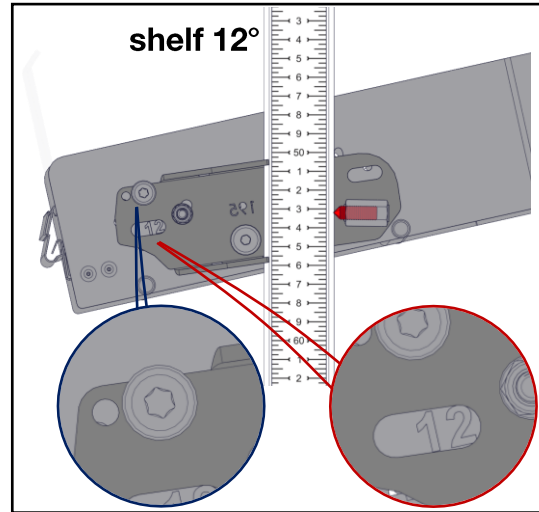
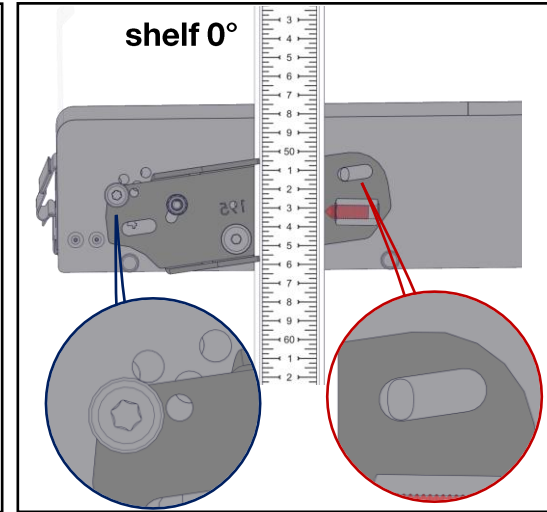
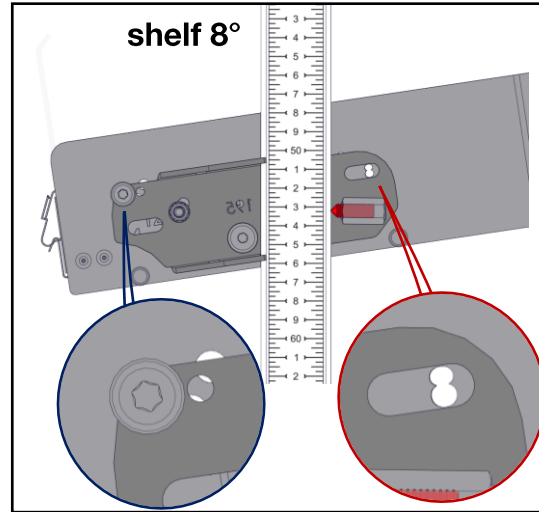
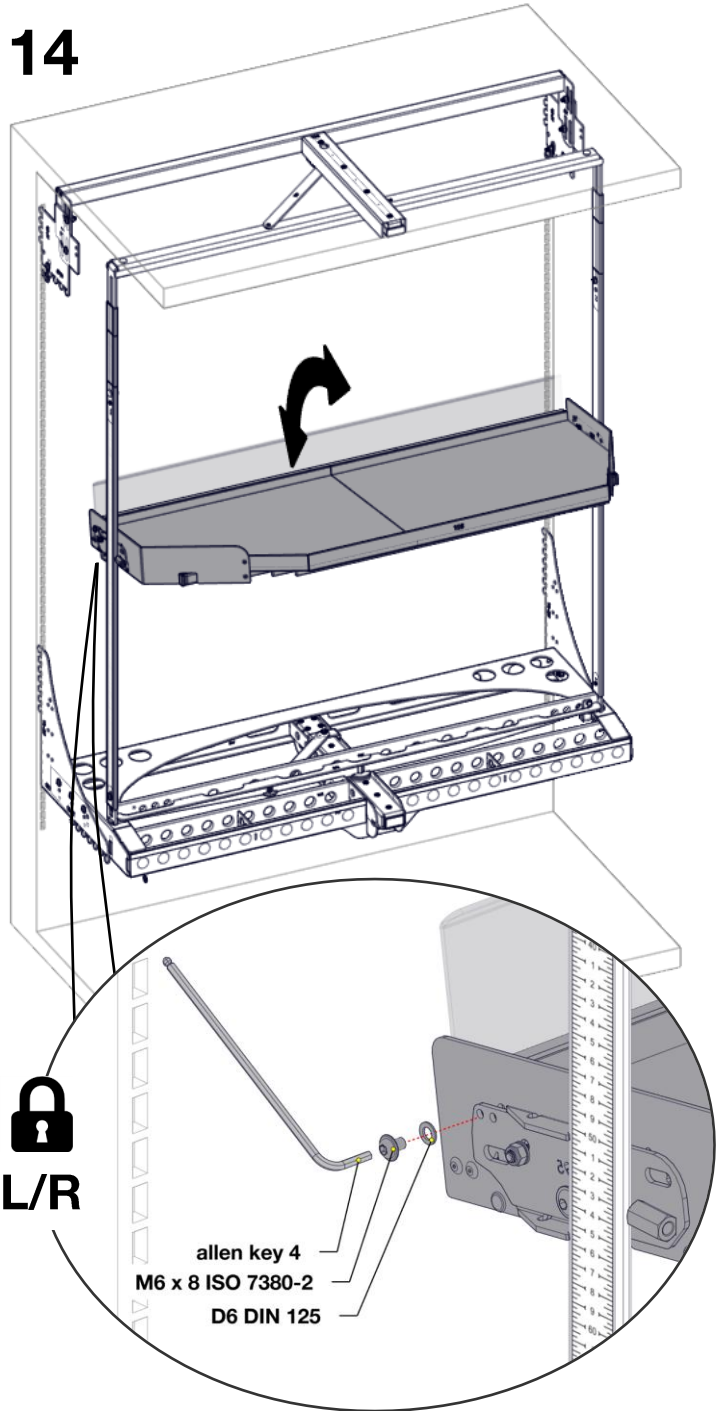
12

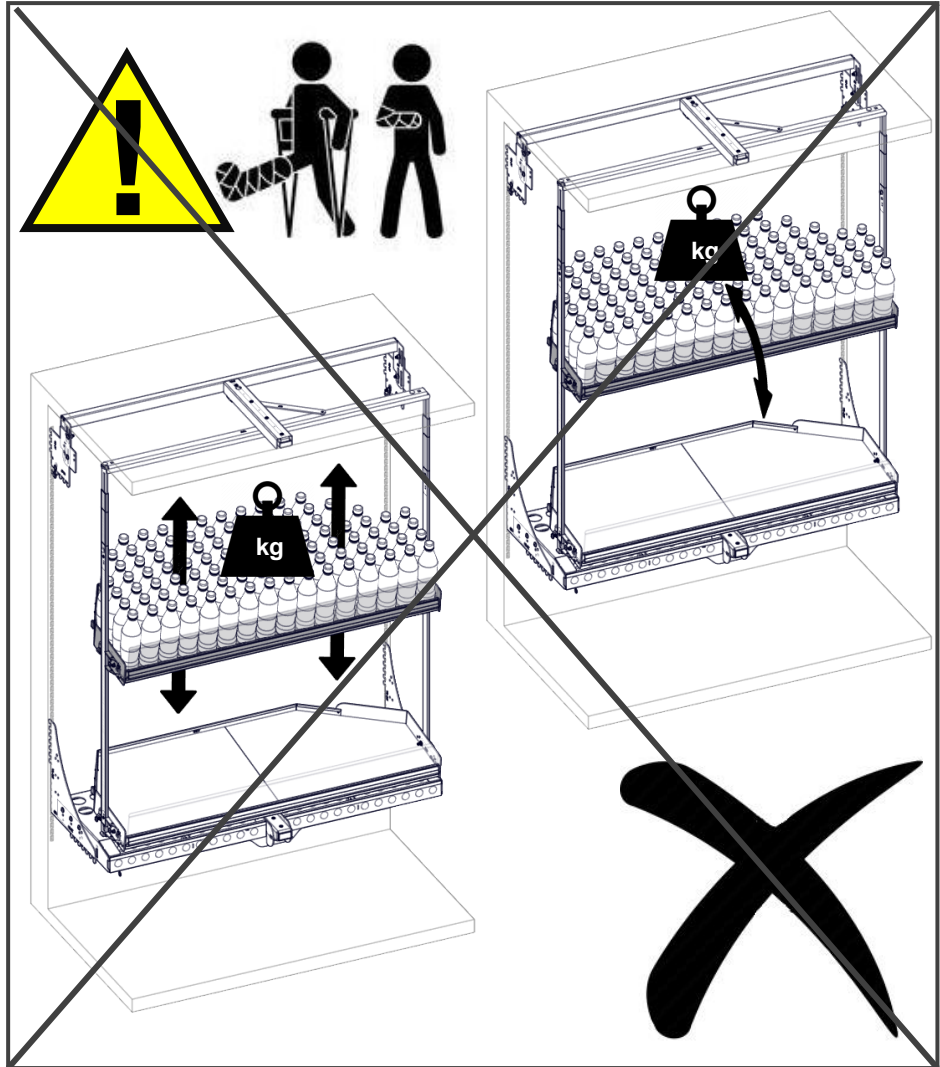
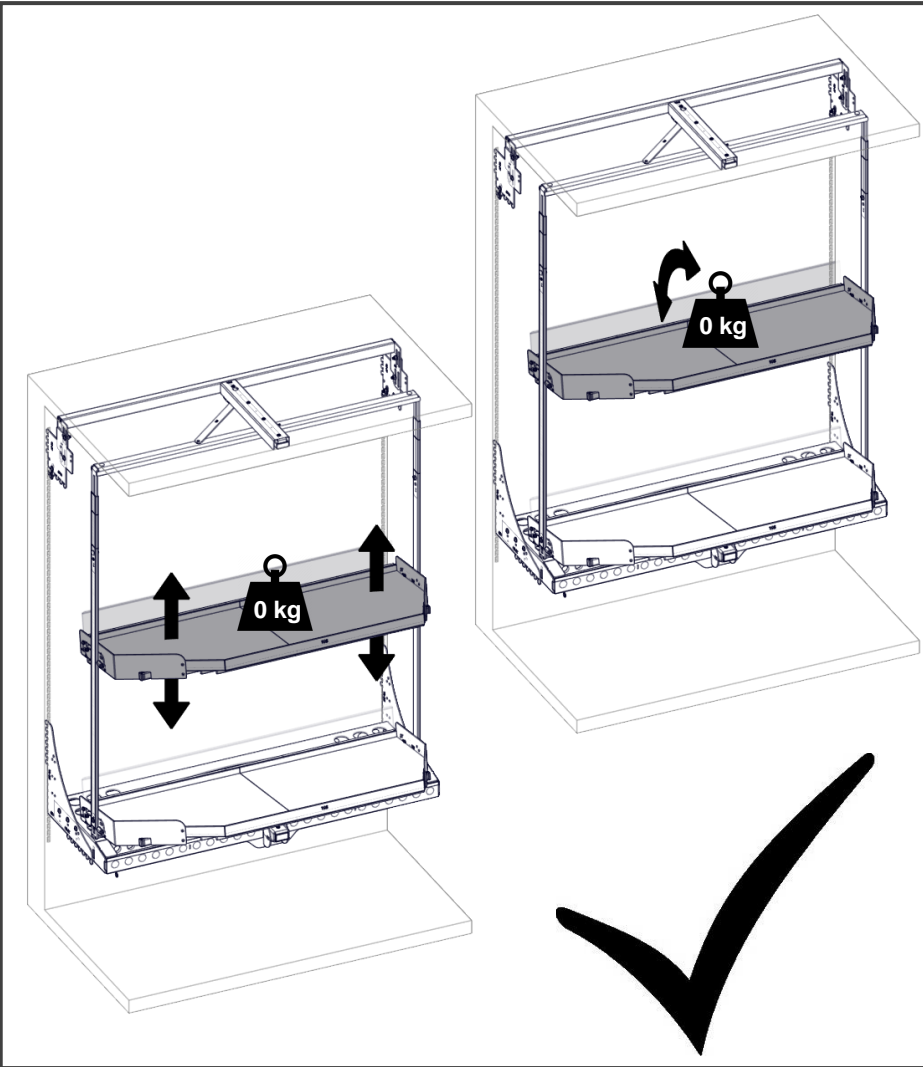


13

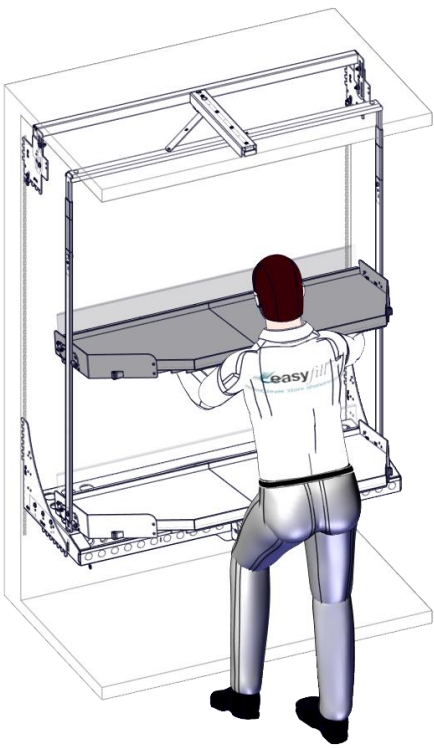


14

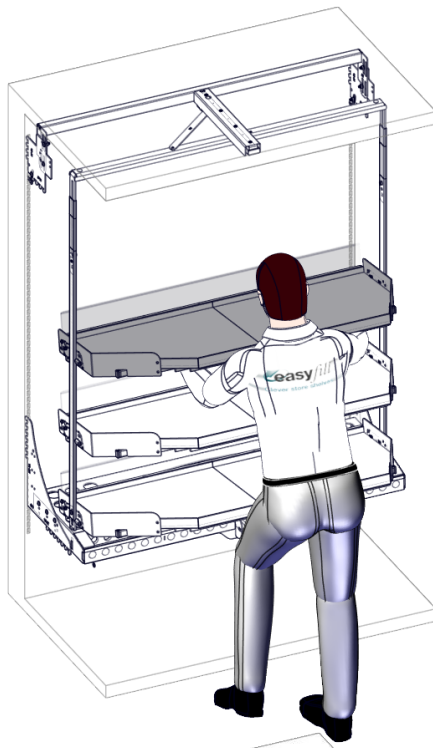




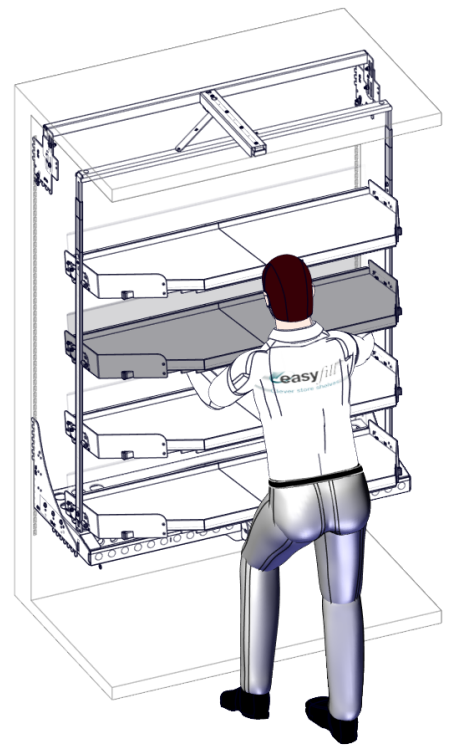
16



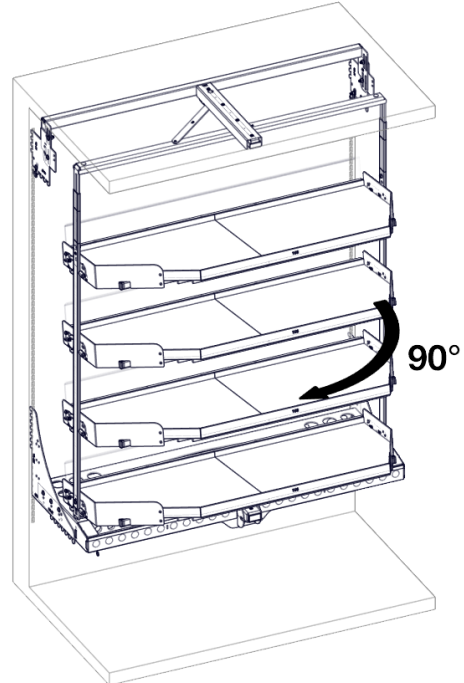
17



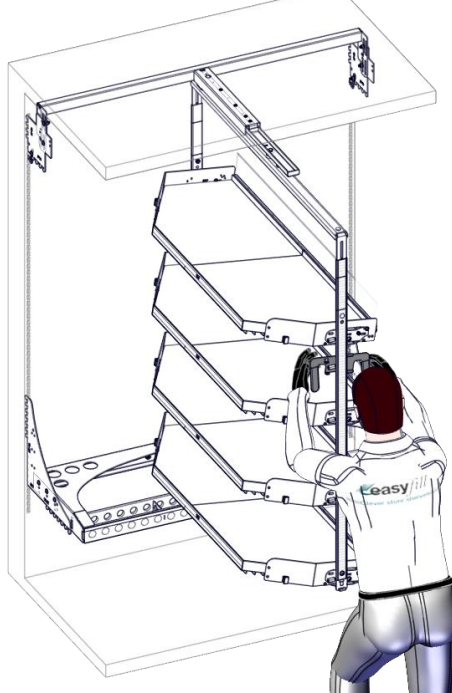
18



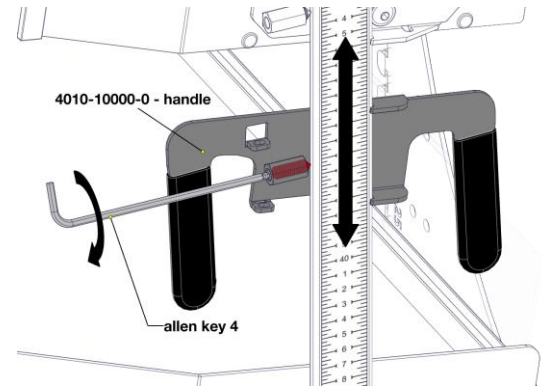
19

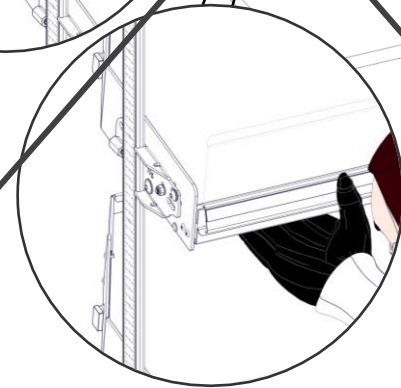
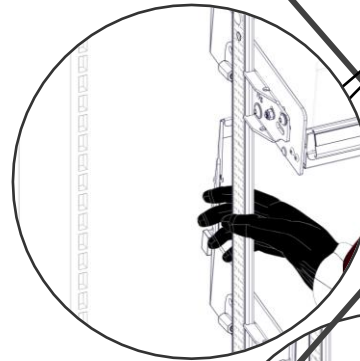
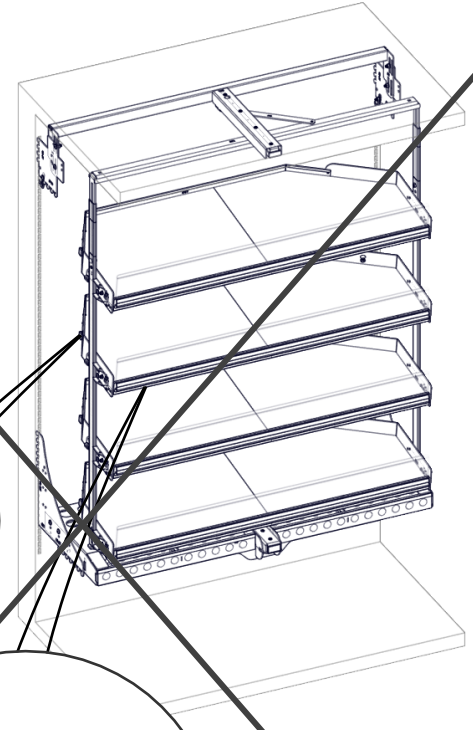
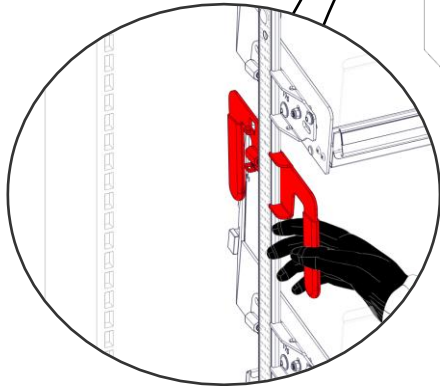
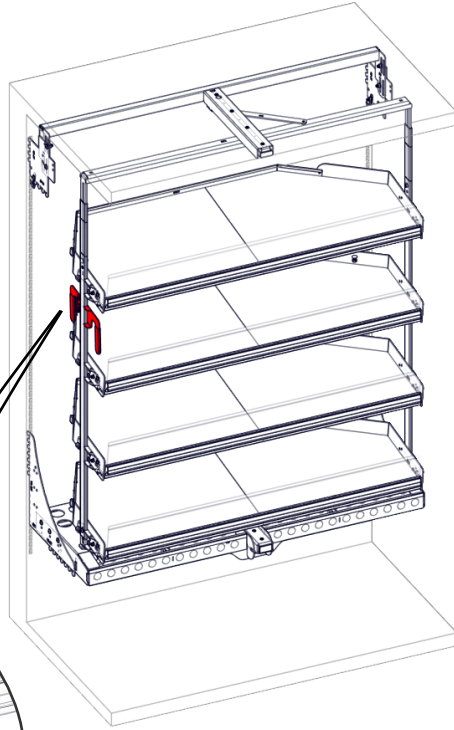


20

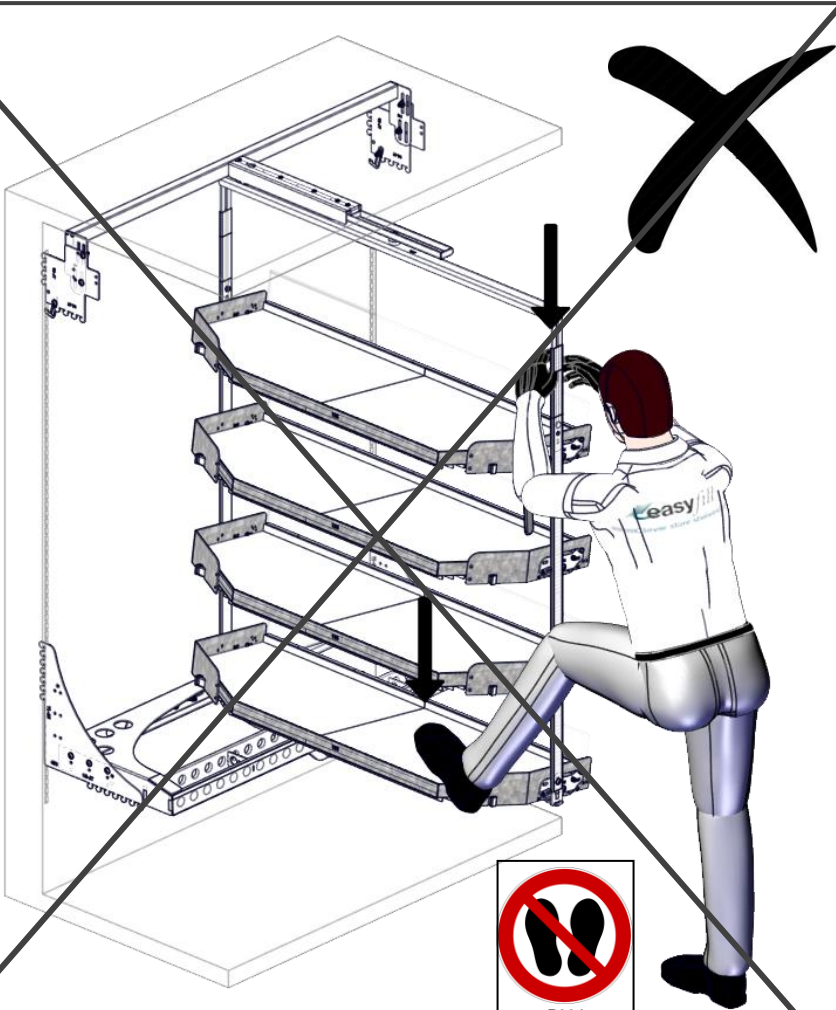


21

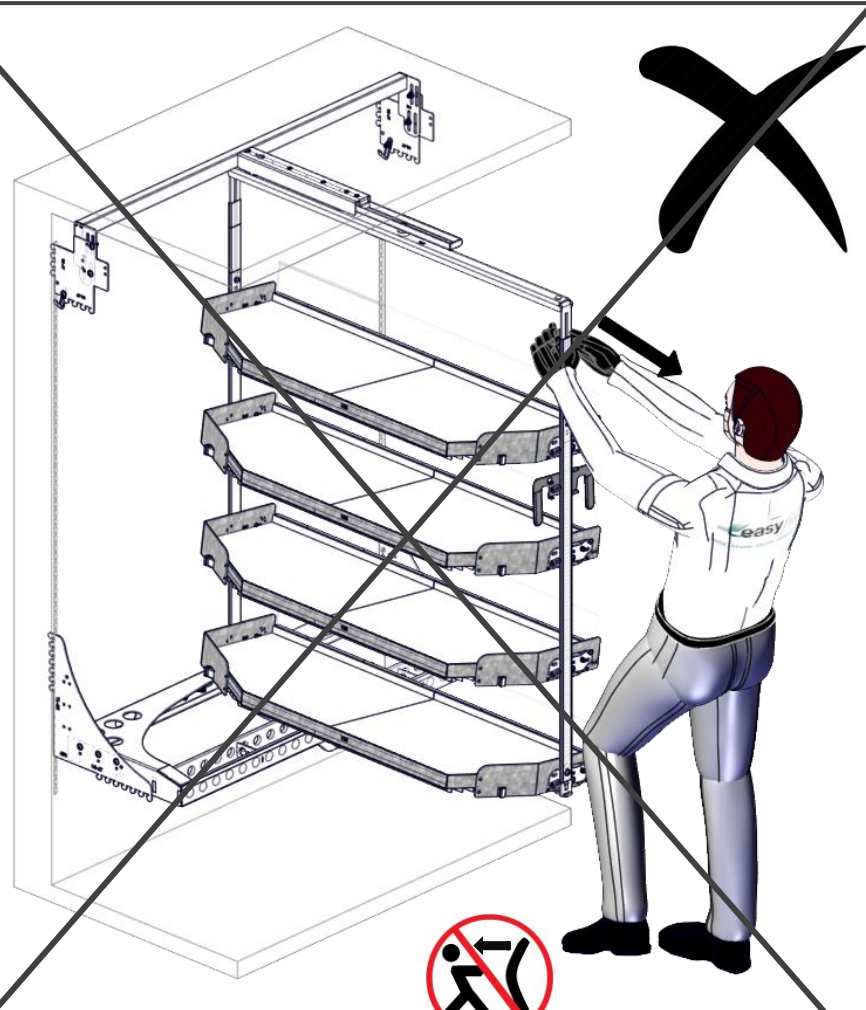




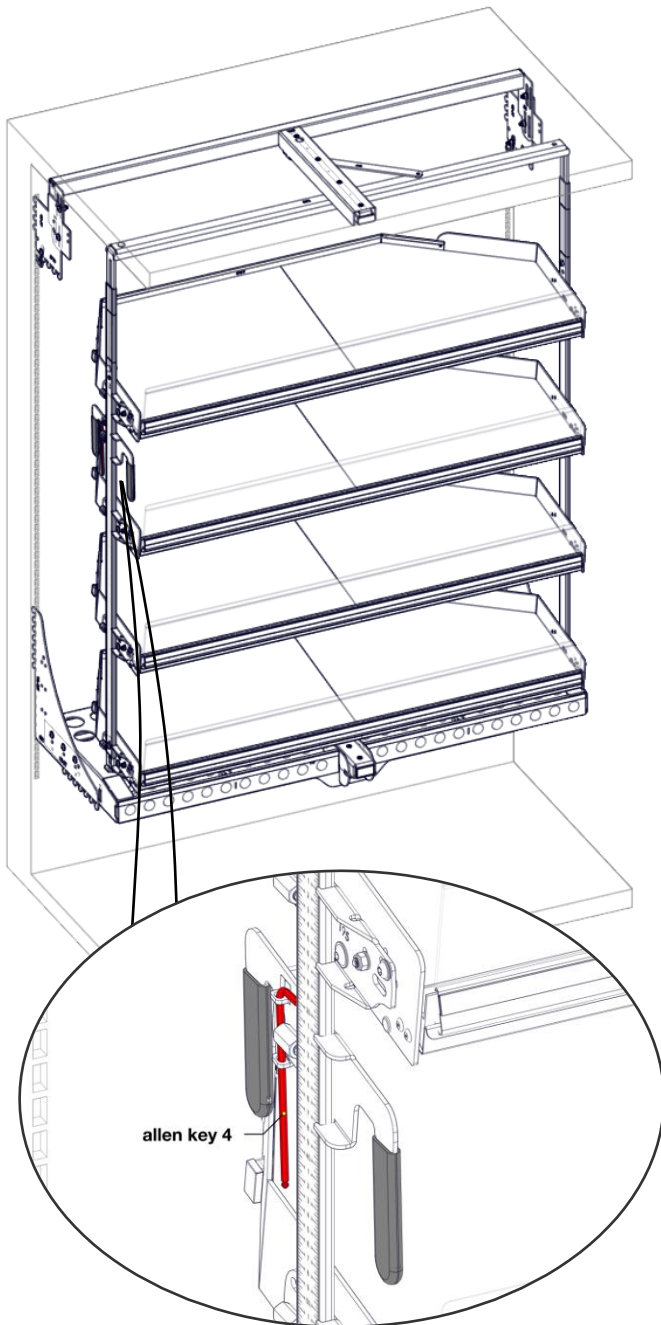
! WARNING !



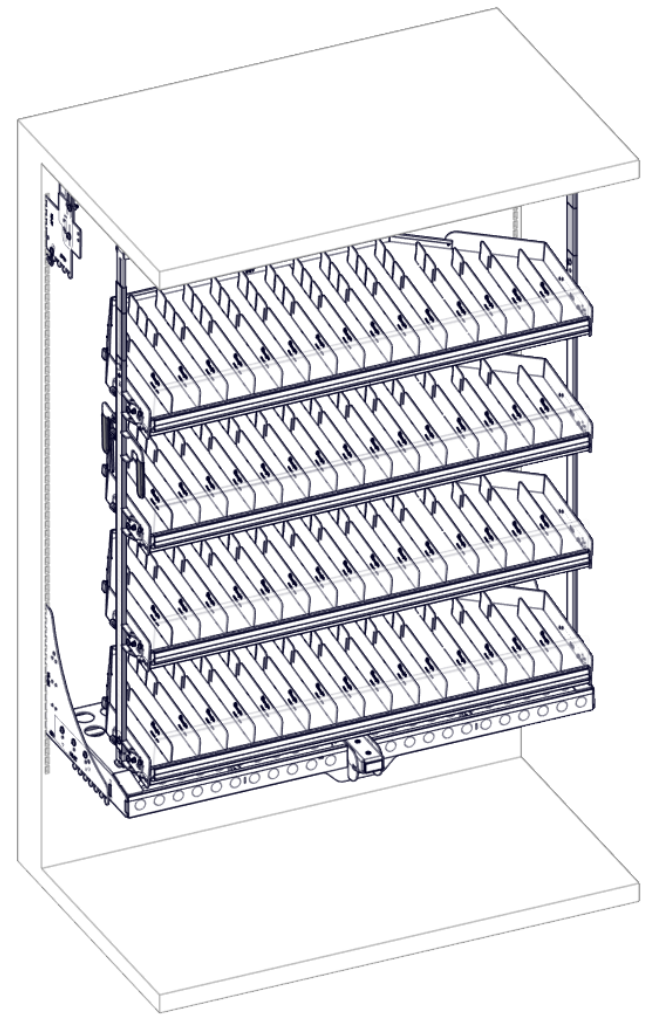
P024
Do not walk
or stand here



22



23

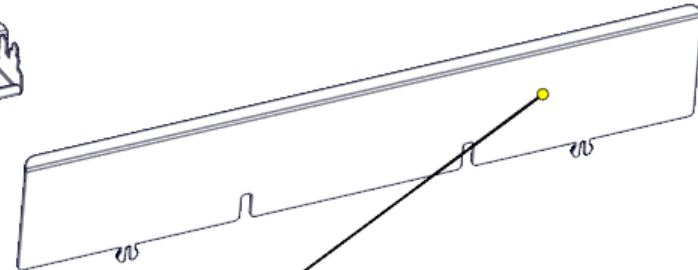
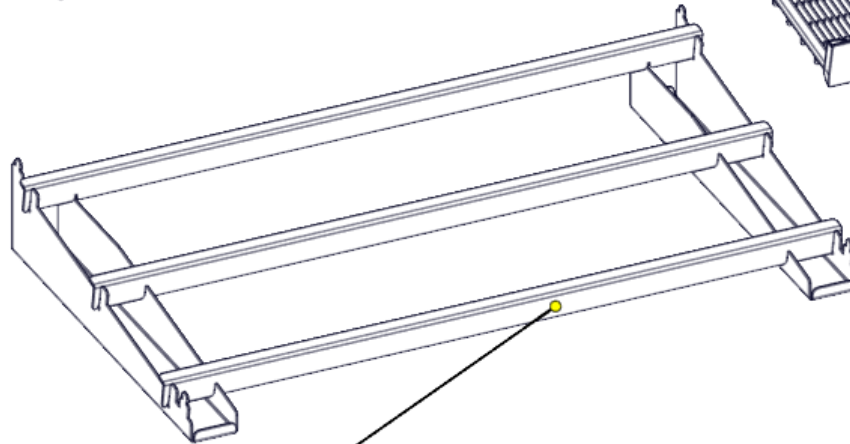
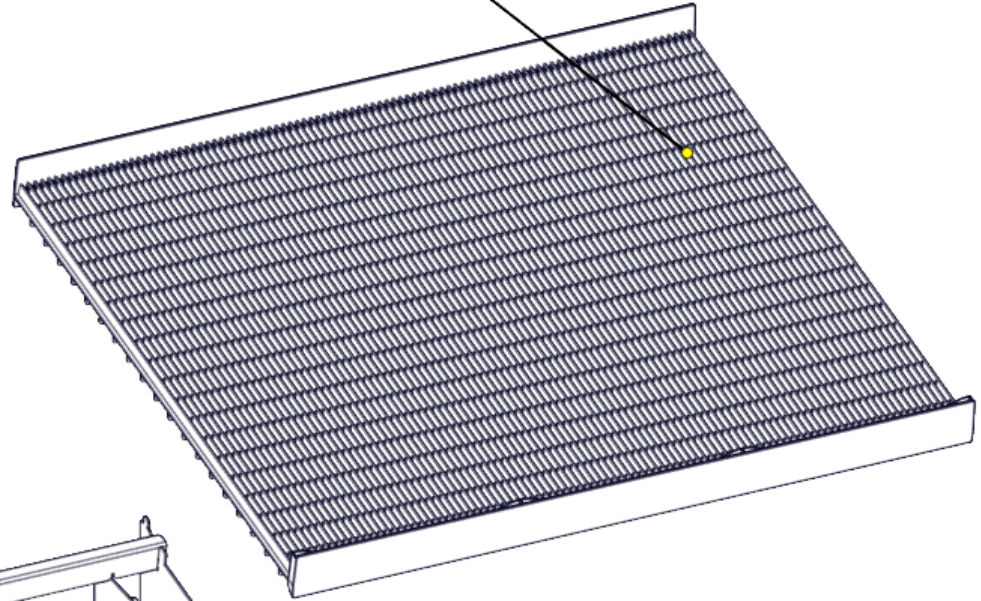
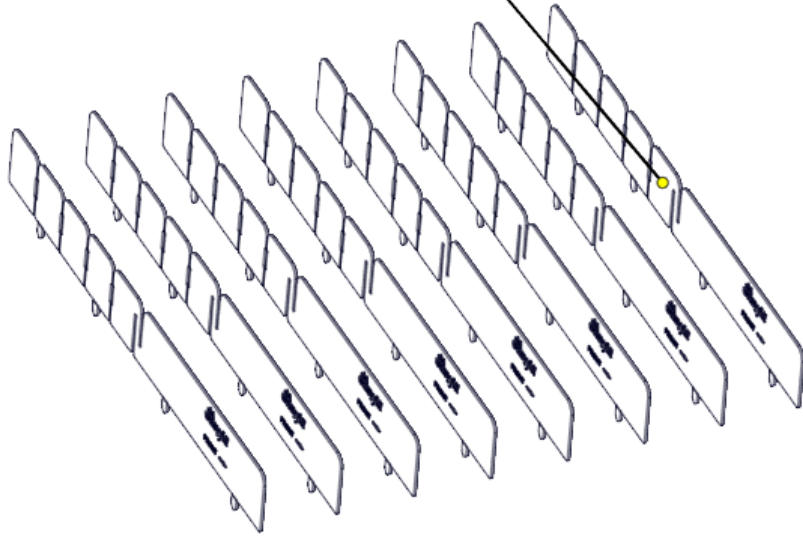


EXTRA SET Art.No. 100514

Art. No. 0193-70000-0 (2x)

Divider Easyfill Uni 620
Art. NO 400476

Plastic part of bottom shelf
Art. NO 400394

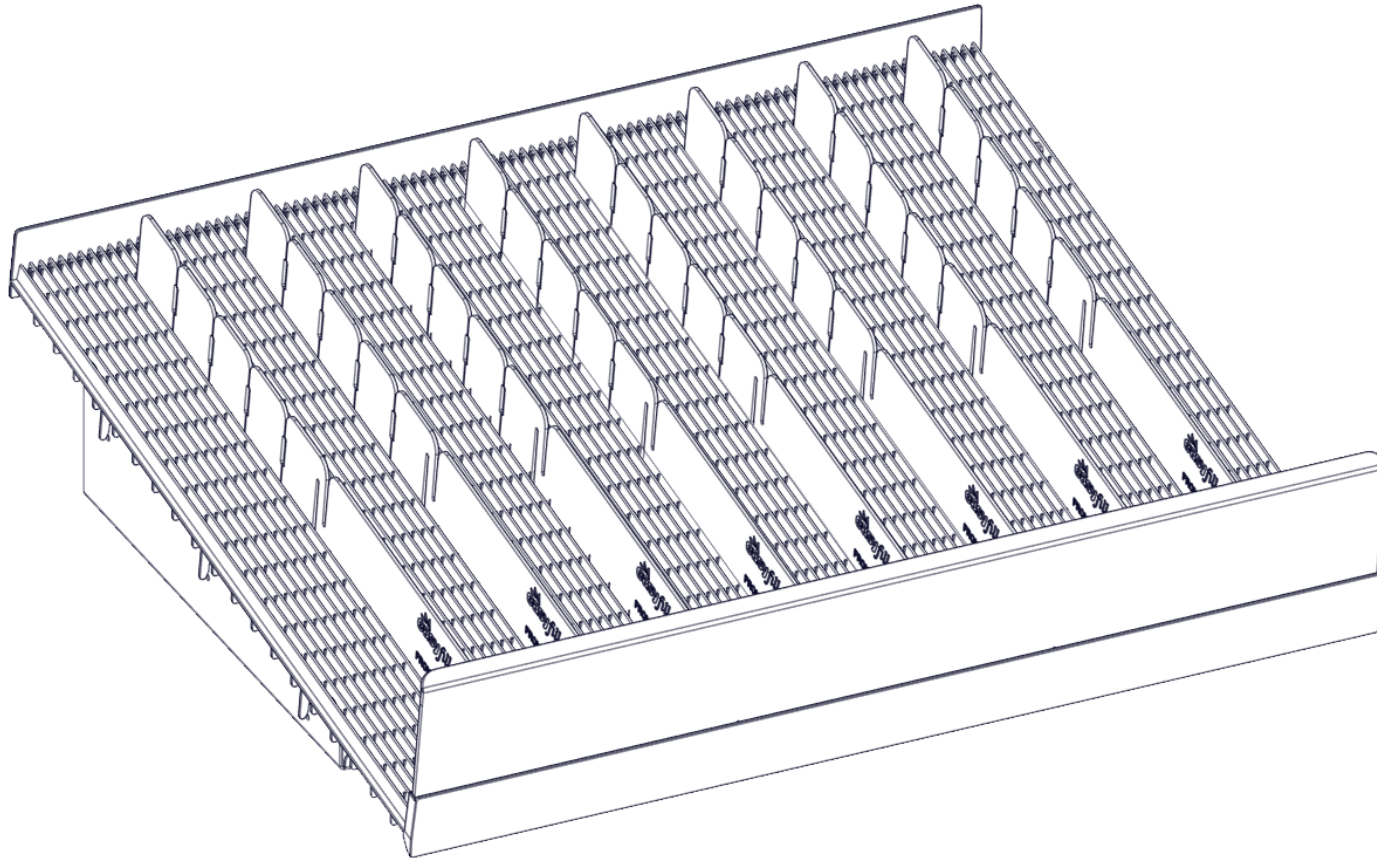


Bottom Shelf
Art. NO 0155-44100-0

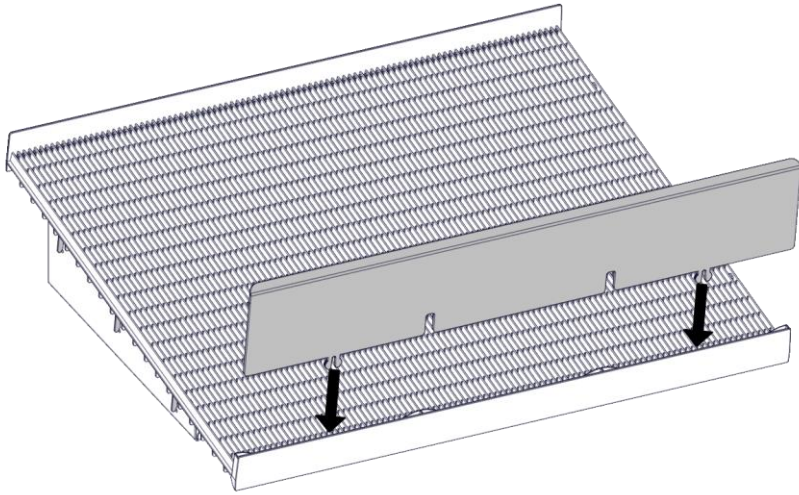
Frontstopper UNI 620 High H 113 mm
Art. NO 0620-00113

Installation of bottom shelf

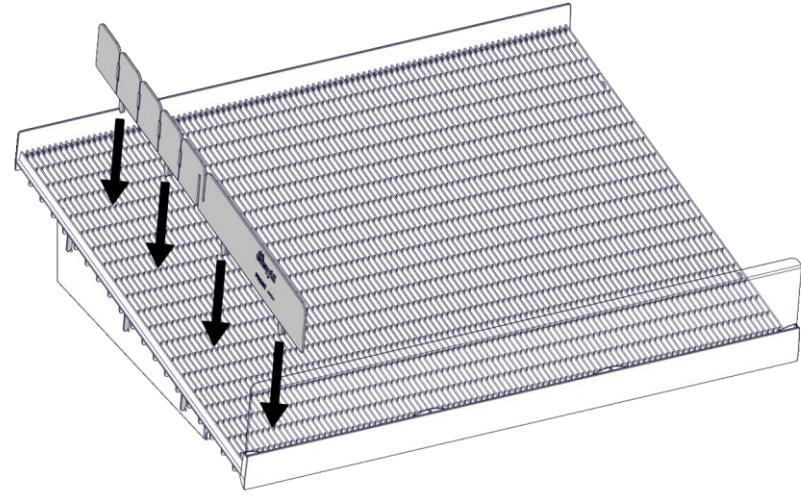
Art.No. 0193-70000-0 (2x)



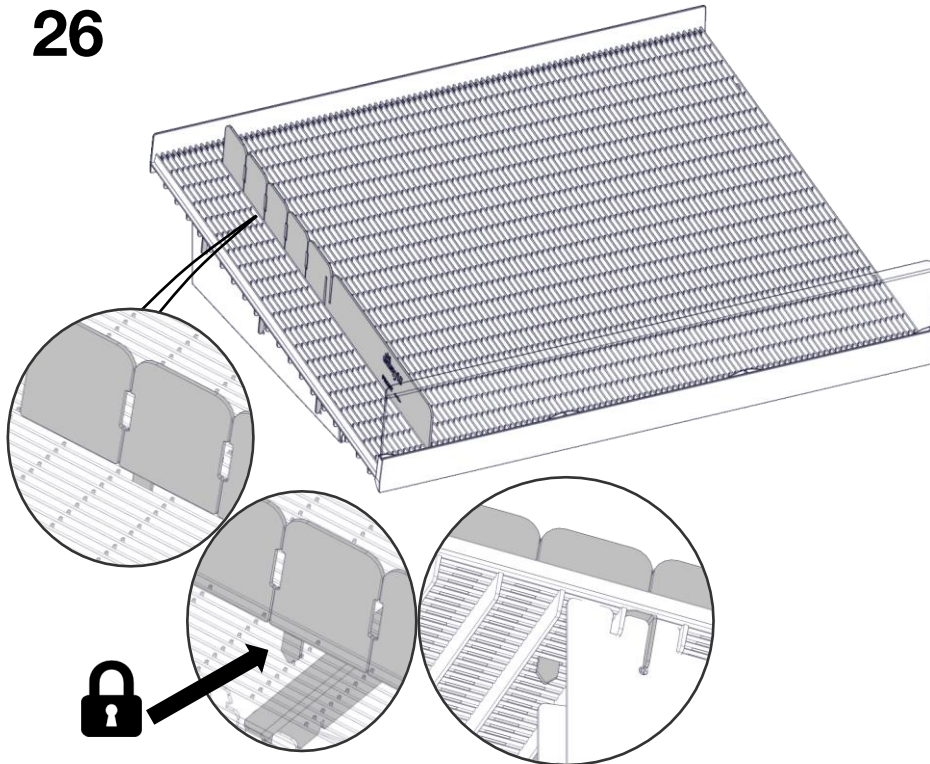
24



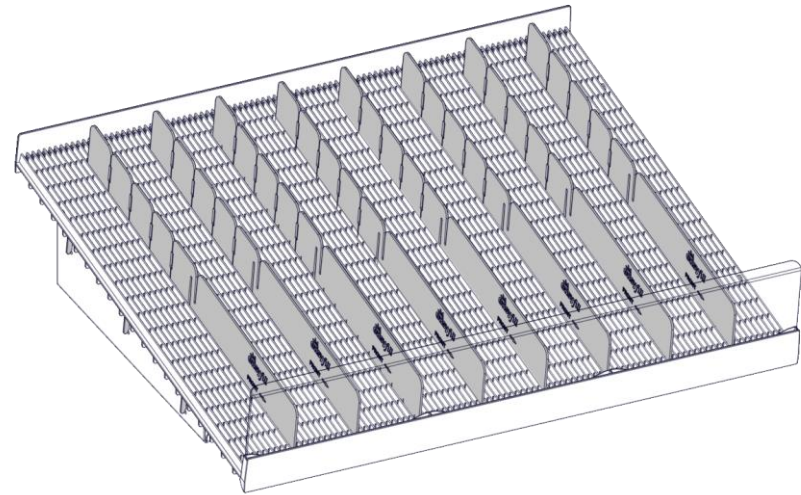
25



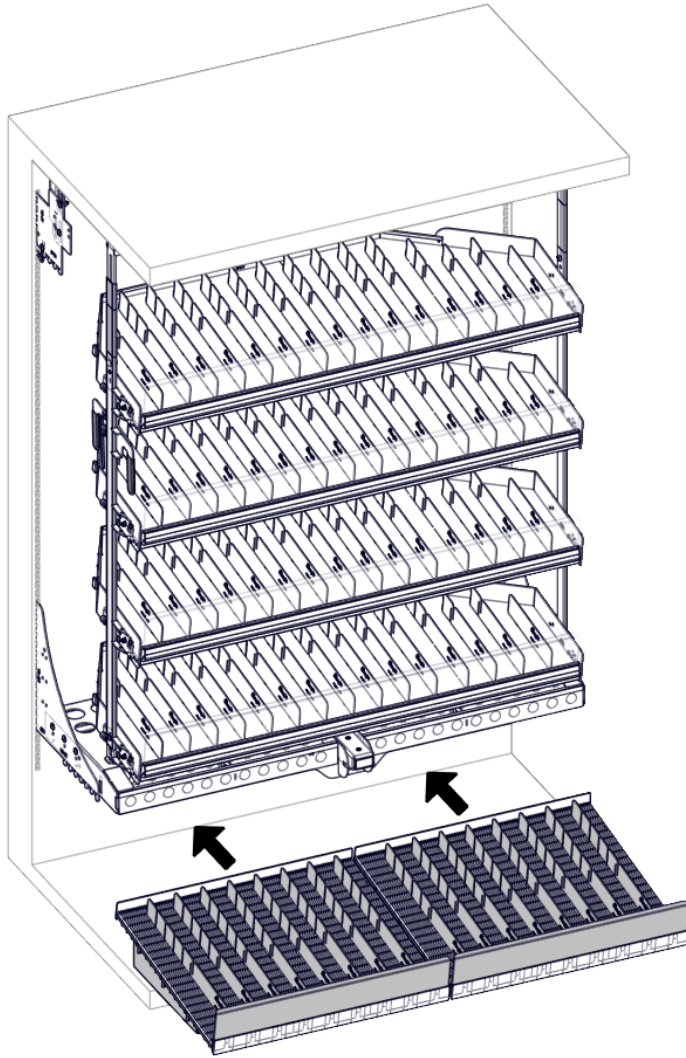
26



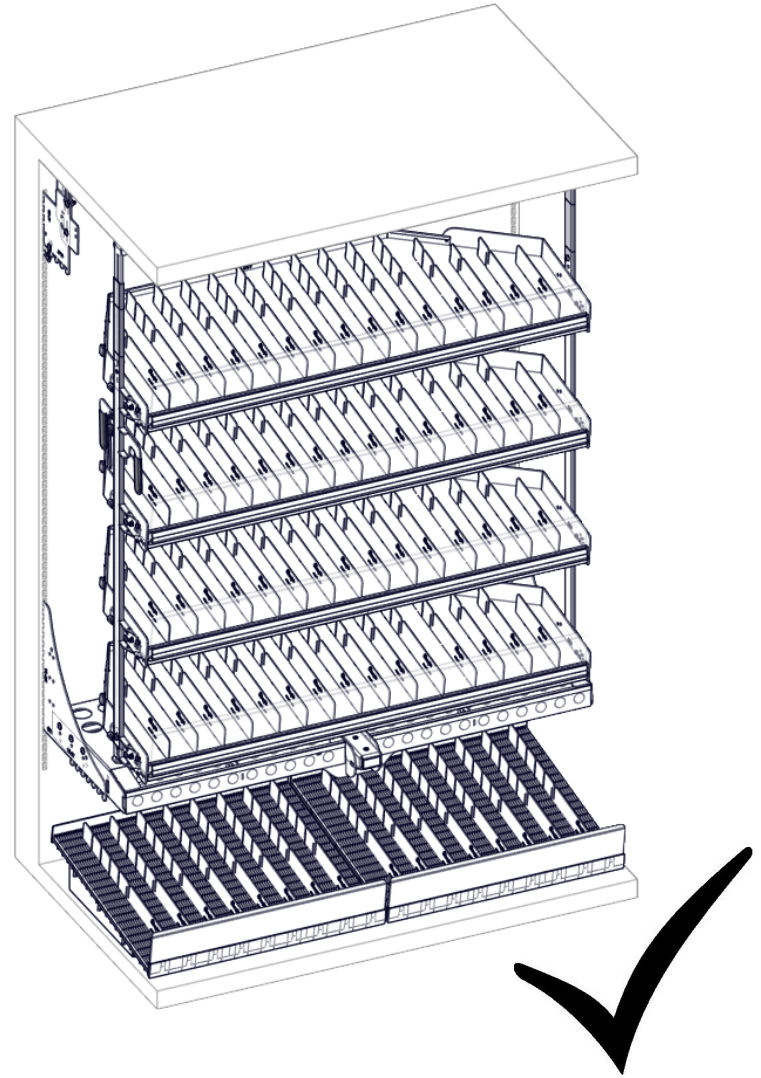
27



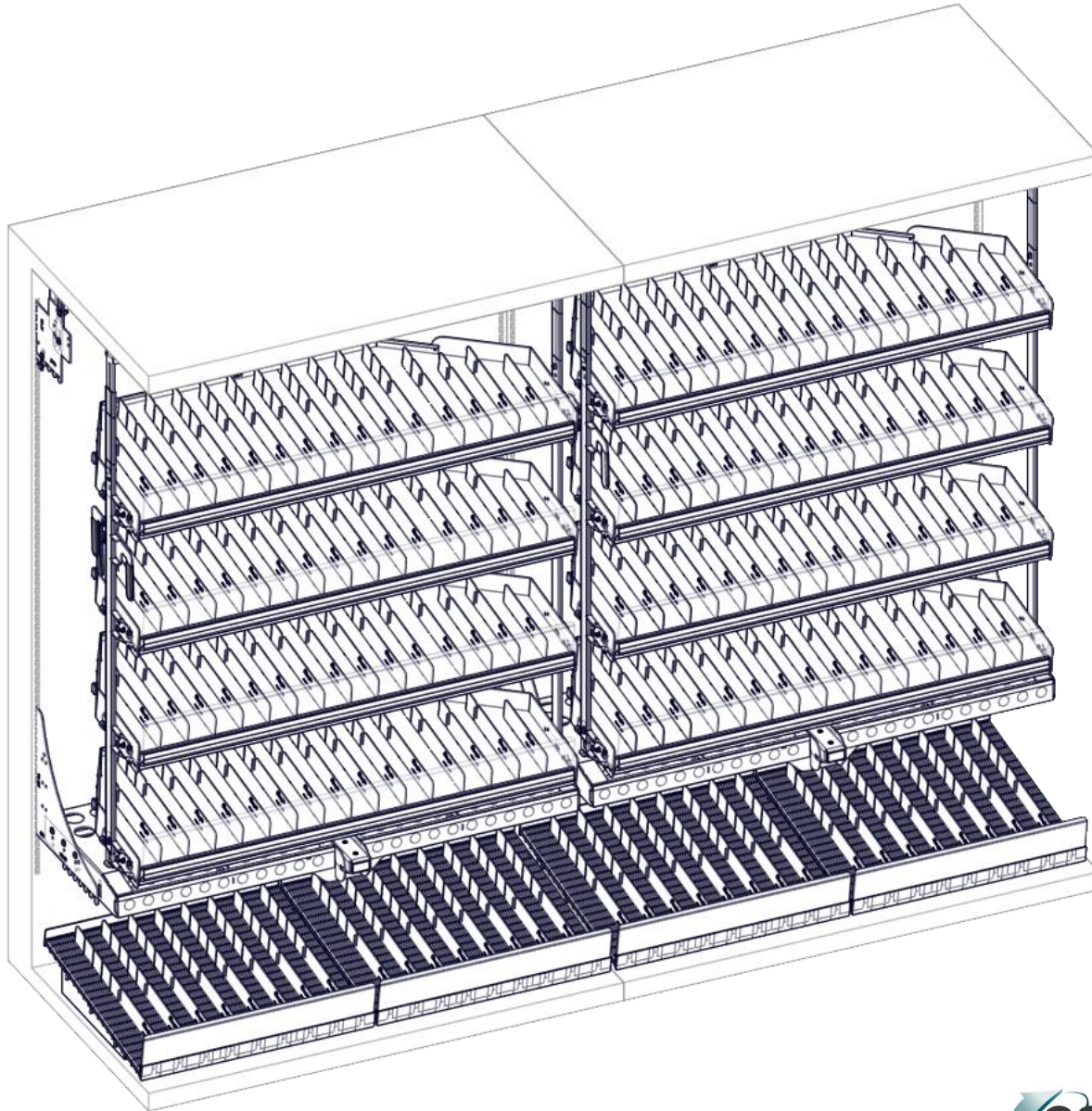
28



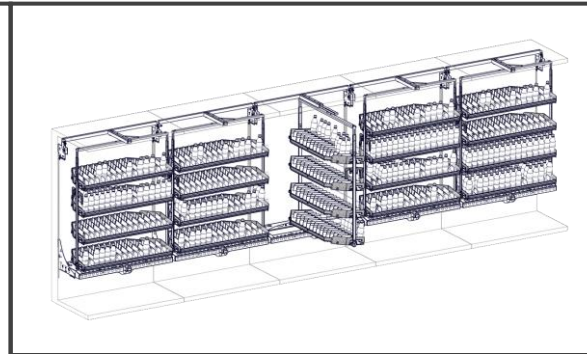
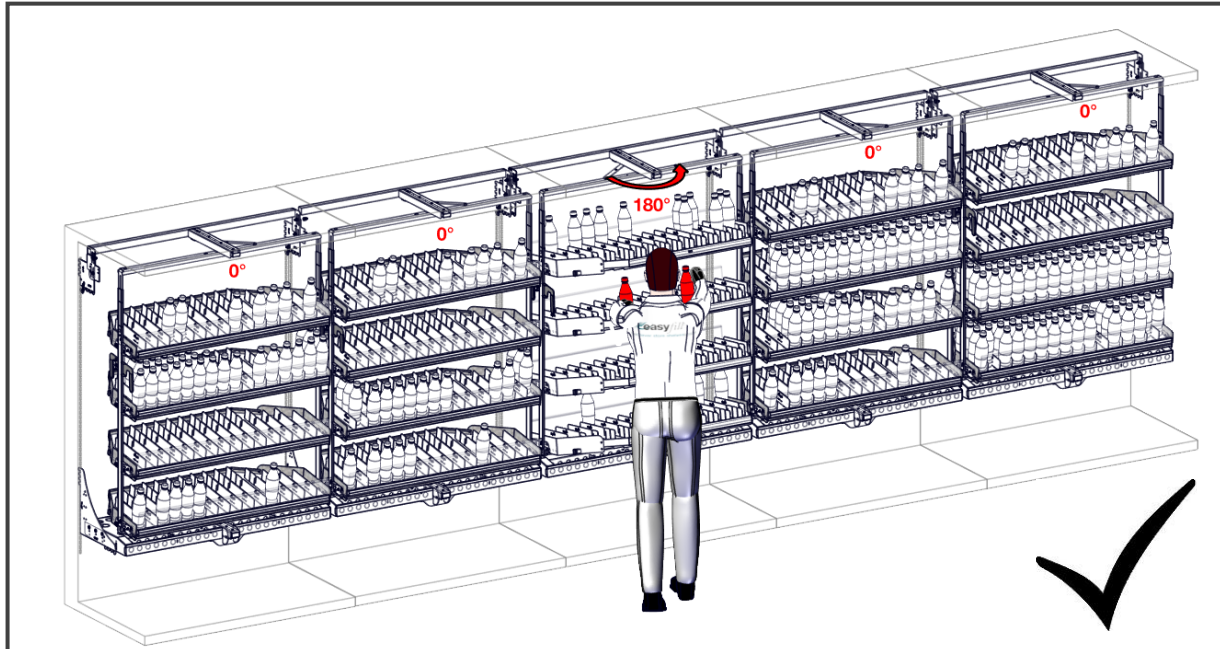
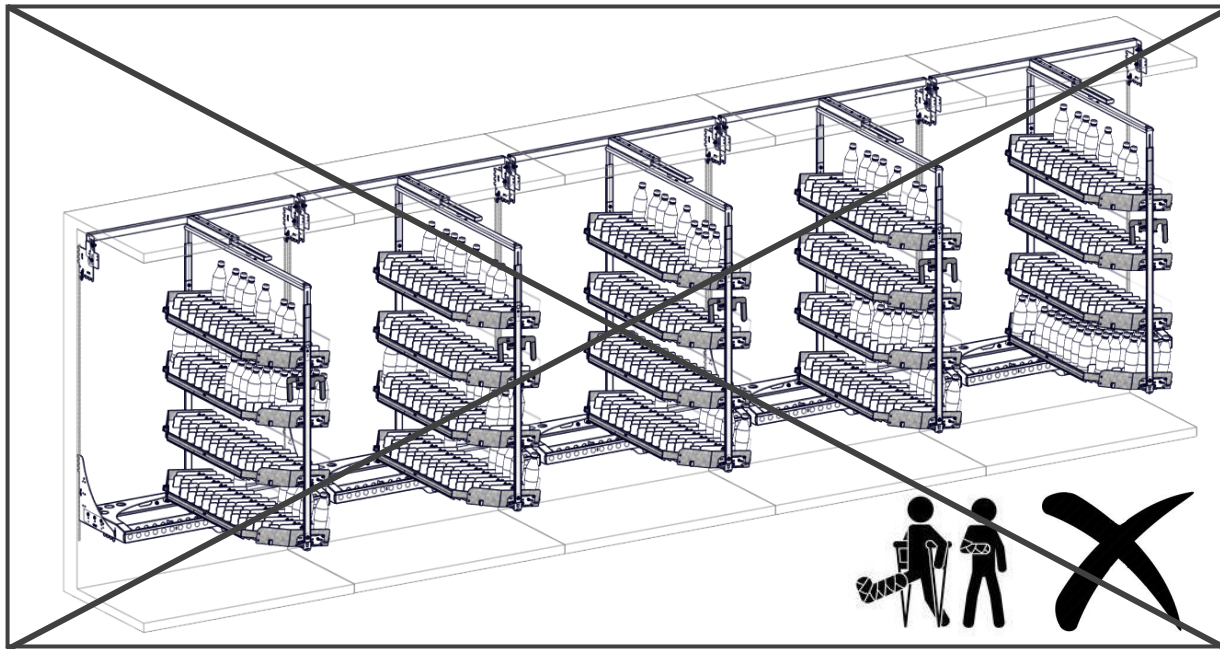
29

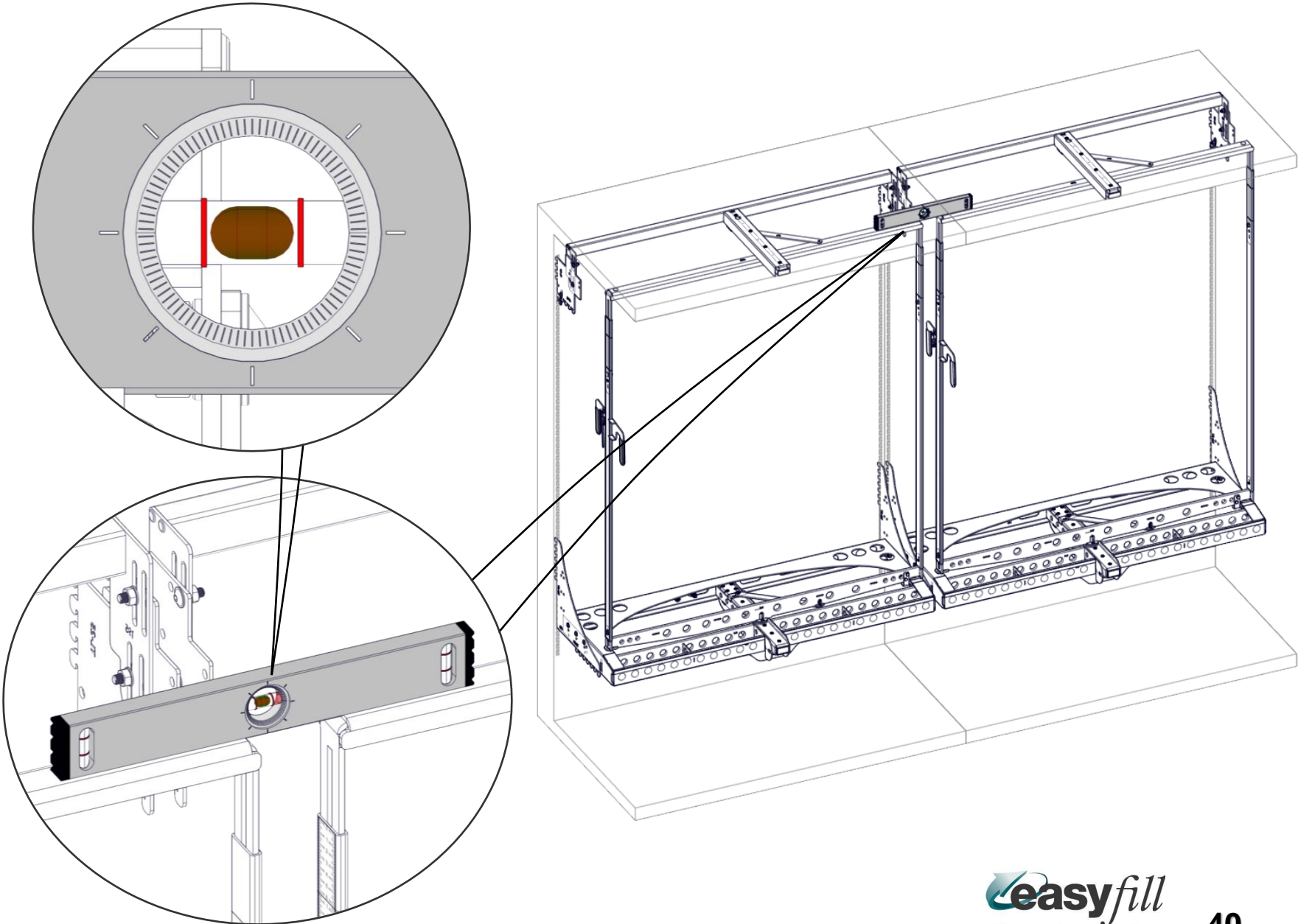


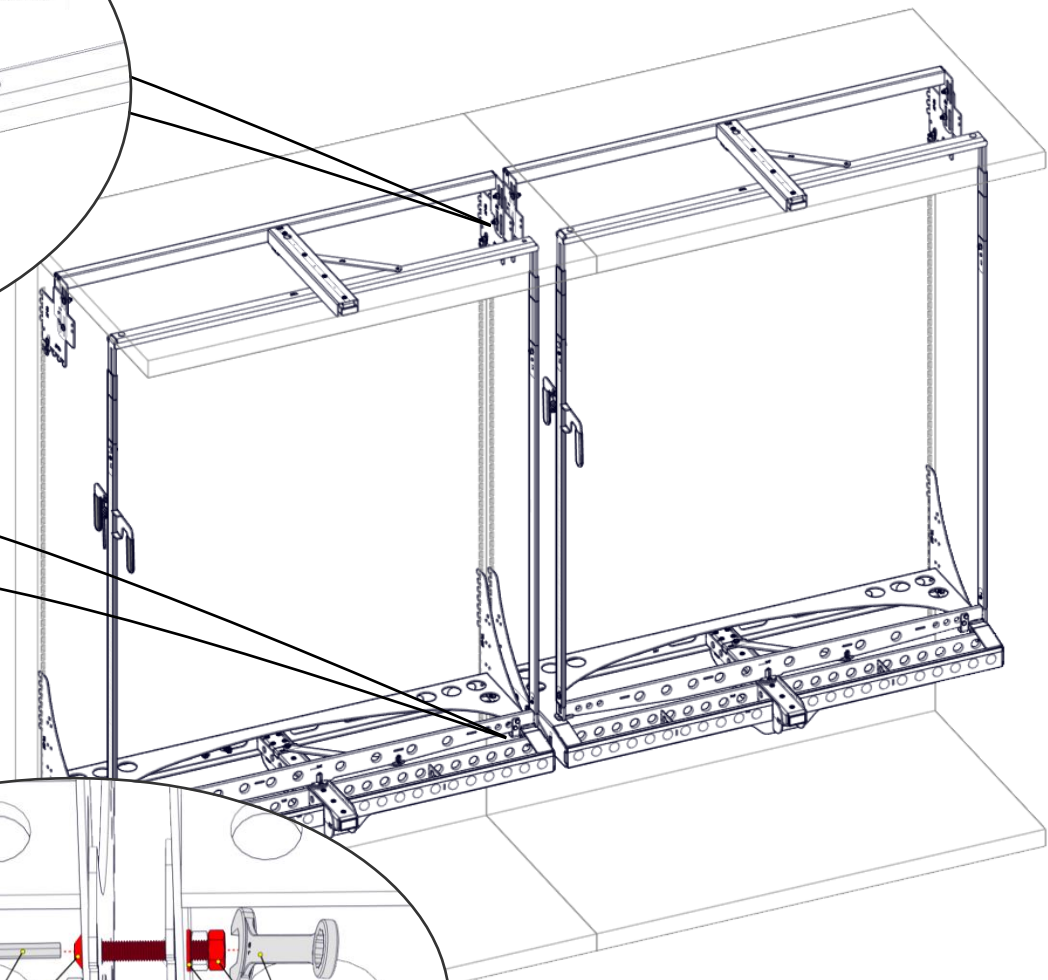
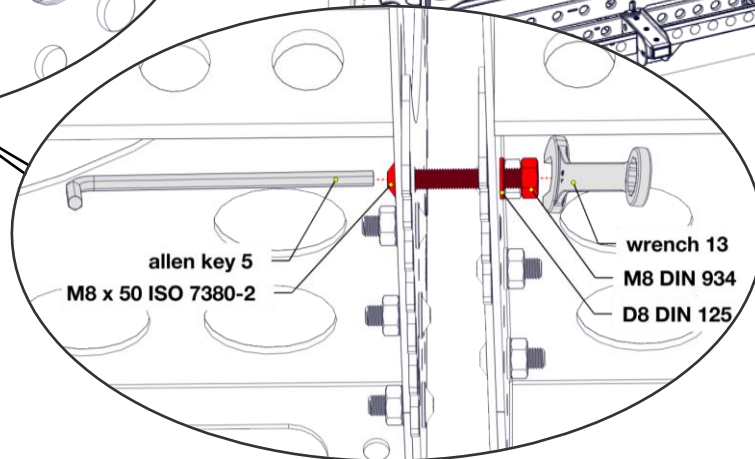
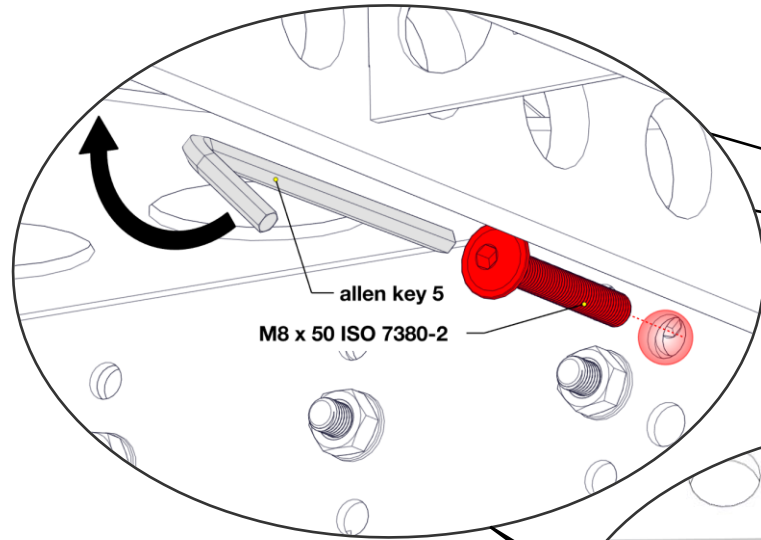
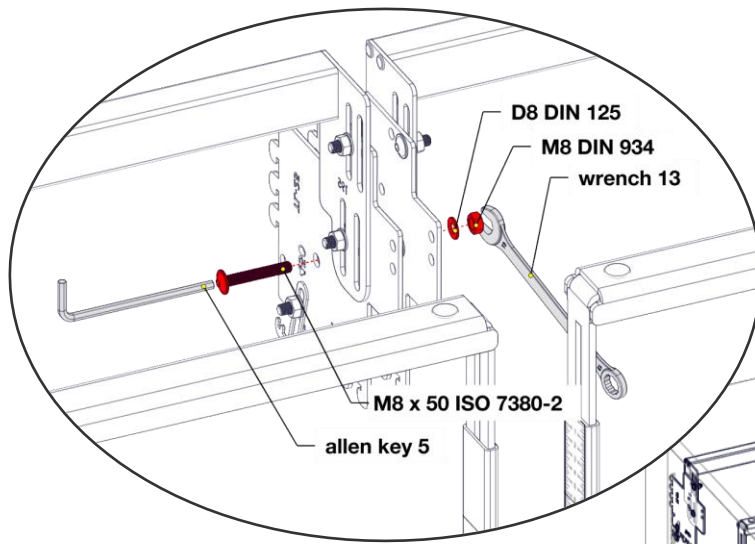
Multiple installation



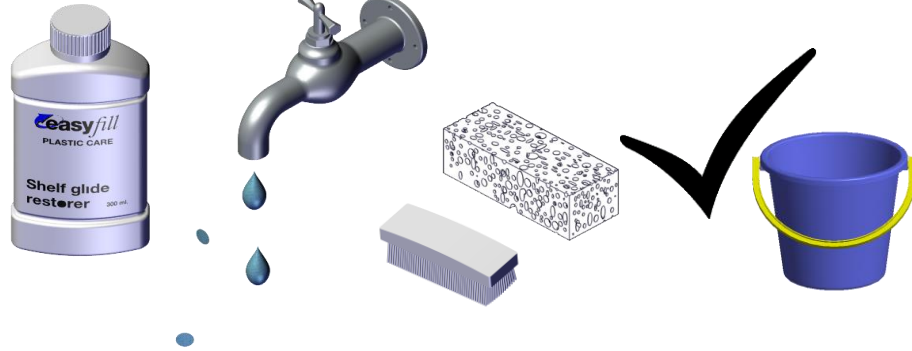
! WARNING !



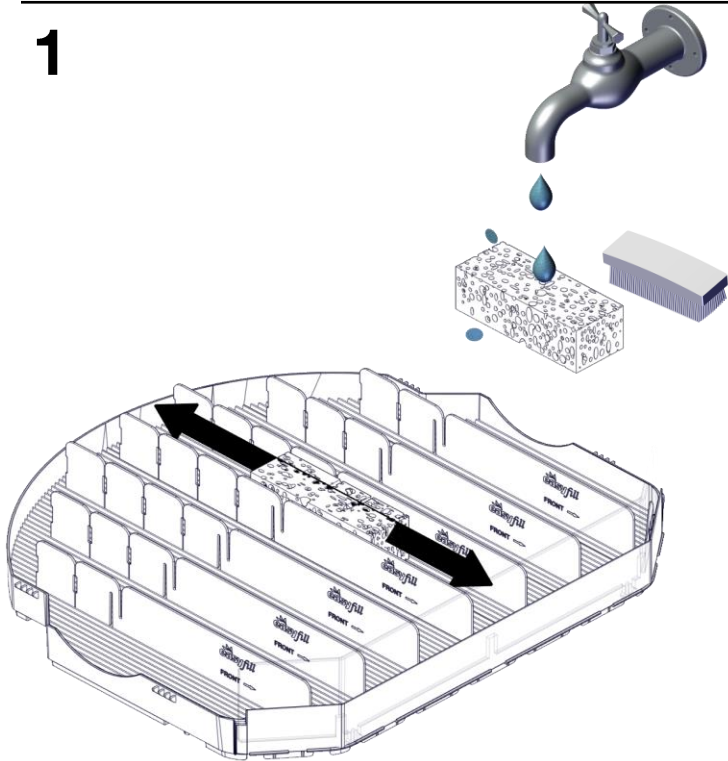




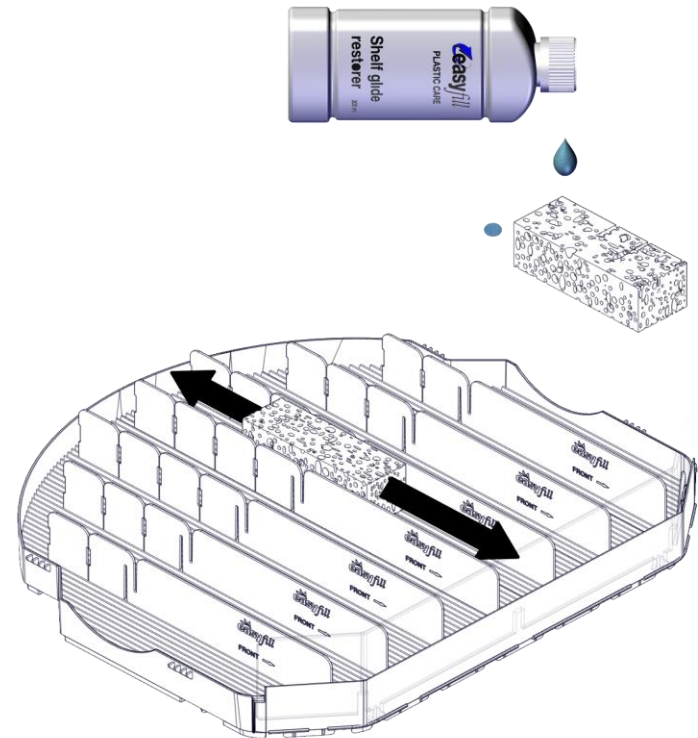
CLEANING



1



2



Thanks!
www.easyfill.se

ALL PICTURES SHOWN ARE FOR ILLUSTRATION PURPOSE ONLY.
ACTUAL PRODUCT MAY VARY DUE TO PRODUCT ENHANCEMENT.
ALL CHANGES ARE RESERVED BY EASYFILL.